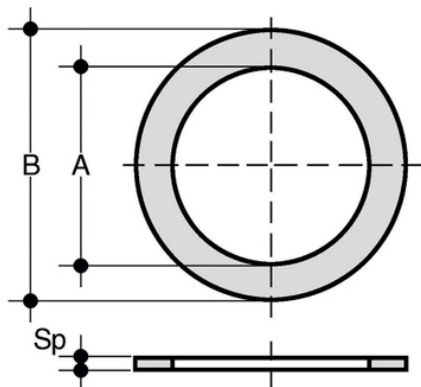


# FLAT GASKET for ADV

Flat gasket for ADV hose connector



Objednací číslo	d
GP0193E	3/4" x 16 x 18
GP0196E	1" x 1/2 x 30 x 32
GP0197E	2" x 50 x 52
GP0198E	2" x 1/4 x 50 x 52
GP0199E	3" x 3/4 x 60 x 64
GP1210E	1/2" x 12 x 14
GP1212E	1" x 20 x 22
QHVX025E	1" x 1/4 x 25 x 27
QHVX050E	2" x 1/2 x 60 x 64