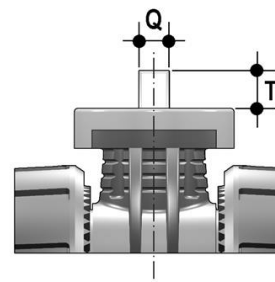
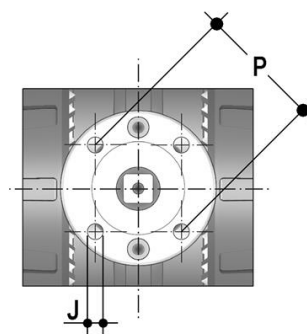
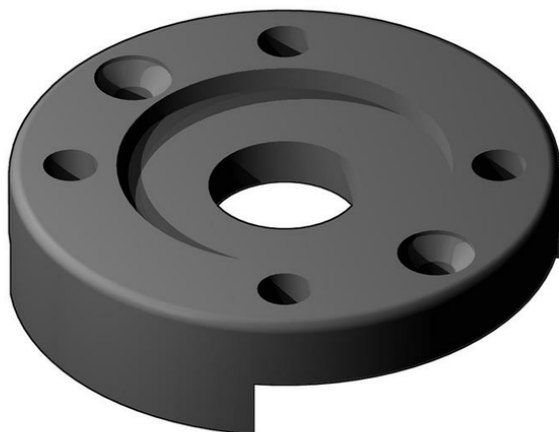


Actuation Kit

Actuation Kit for VKD 75÷110 composed by adapter plate, square reduction and bolting



Objednací číslo	Materiál	Kategorie
AKVKD075110	FLS Measurement Instrumentation	Příslušenství k ručním armatury

Actuation Kit

- Upper part (PVC-U)
 - Bottom part (PVC-U)
 - Bolts (zinc plated steel)
 - Nuts (zinc plated steel)
 - Gasket (NBR)
 - Reinforcing ring (Stainless steel)
- The reinforcing bush are used to reinforce the pipe PE100 (SDR11) e PE-X, to elong the lifetime of the pipeline and to reduce the collapse risk of the pipe in disadvantages conditions. They use is particularly suggested using PE-X pipes. The two tightening keys (d.16-63 and d.75-110) are important tools to install the **MAGNUM 3G** fittings