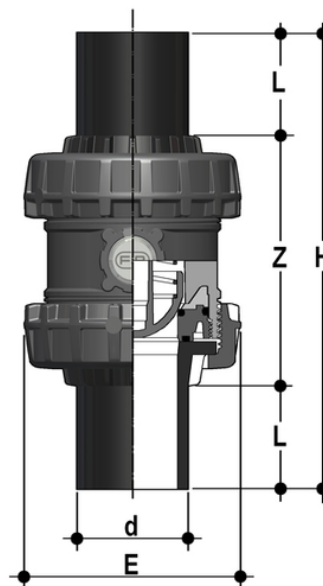


SSEBEV – Easyfit True Union ball and spring check valve

Easyfit spring check valve with PE100 SDR 11 male end connectors for butt welding or electrofusion (CVDE)



EPDM

Objednací číslo	Materiál	Kategorie	Série	d	DN	E	H	L	Z	g	PN
SSEBEV075E0P	PVC-U system	Armatury	SXE-SSE DN 65÷100	75	65	157	331	71	189	2480	16
SSEBEV090E0P	PVC-U system	Armatury	SXE-SSE DN 65÷100	90	80	174	367	88	191	3090	16
SSEBEV110E0P	PVC-U system	Armatury	SXE-SSE DN 65÷100	110	100	212	407	92	223	5370	16

FKM

Objednací číslo	Materiál	Kategorie	Série	d	DN	E	H	L	Z	g	PN
SSEBEV075F0P	PVC-U system	Armatury	SXE-SSE DN 65÷100	75	65	157	331	71	189	2480	16
SSEBEV090F0P	PVC-U system	Armatury	SXE-SSE DN 65÷100	90	80	174	367	88	191	3090	16
SSEBEV110F0P	PVC-U system	Armatury	SXE-SSE DN 65÷100	110	100	212	407	92	223	5370	16

SSEBEV – Easyfit True Union ball and spring check valve

- **Customisable Labelling System: built-in LCE module** on the valve body made up of transparent protection plug and customisable tag holder using the LSE set (available as accessory). The customisation potential lets you **identify the valve on the system** according to specific needs
- **Optimised dynamic fluid design:** energy savings due to the improved valve Kv value and consequent reduced pressure drop
- High surface finish ball shutter: **reduced wear**, longer working life and reduced valve maintenance. Ideal to convey dirty fluids, even with suspended fluids or filaments, thanks to the special design that permits **internal valve selfcleaning**
- **Locked ball seat carrier:** safe dismounting for maintenance with the Easyfit multifunctional handle
- Ideal for horizontal installations: **perfect seal even with low back pressure. Silent** and durable even with strong vibrations and pulsating fluid
- PVC-U shutter and springs available in STAINLESS Steel 316, A316 PTFE encapsulated: maximum reliability in a **wide field of applications** from salt water to aggressive acids

- Connection system for solvent weld and threaded joints
- **Valve material compatibility** (PVC-U) with water, drinking water and other food substance conveyance according to **current regulations**
- **PN16 True Union valve body** made for PVC-U injection moulding and European Directive 2014/68/EU (PED) compliant for pressurised equipment. ISO 9393 compliant test requirements
- Easy radial dismounting and fully interchangeable with VEE and VXE 65-100 valve models
- Union nut profile that perfectly adapts to the Easyfit multifunctional handle hooked insert (available as an accessory) that lets you control union nut rotation
- **Vertical** (preferable for SXE model) and **horizontal installation** potential