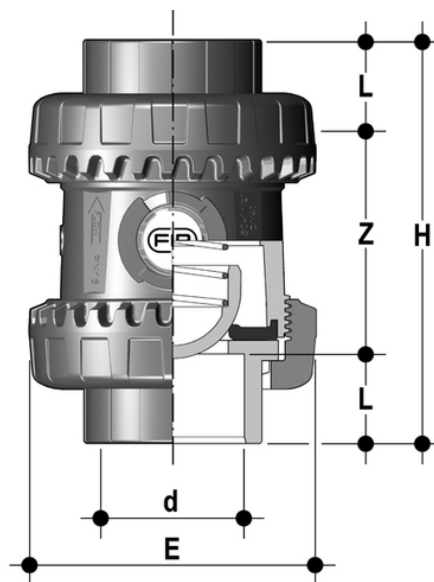


# SSEAC - EASYFIT TRUE UNION SPRING CHECK VALVE

Easyfit spring check valve with female ends for solvent welding, ASTM series



## EPDM

Objednací číslo	Materiál	Kategorie	Série	d	DN	PN	E	H	L	Z	g
SSEAC012EH	PVC-C system	Armatury	SXE-SSE DN 10+50	1/2"	15	16	54	96	22,5	51	158
SSEAC034EH	PVC-C system	Armatury	SXE-SSE DN 10+50	3/4"	20	16	63	105	25,5	54	200
SSEAC100EH	PVC-C system	Armatury	SXE-SSE DN 10+50	1"	25	16	72	117	28,7	59,5	315

## FKM

Objednací číslo	Materiál	Kategorie	Série	d	DN	PN	E	H	L	Z	g
SSEAC012FH	PVC-C system	Armatury	SXE-SSE DN 10+50	1/2"	15	16	54	96	22,5	51	158
SSEAC034FH	PVC-C system	Armatury	SXE-SSE DN 10+50	3/4"	20	16	63	105	25,5	54	200
SSEAC100FH	PVC-C system	Armatury	SXE-SSE DN 10+50	1"	25	16	72	117	28,7	59,5	315

# SSEAC – EASYFIT TRUE UNION SPRING CHECK VALVE

- **Customisable Labelling System: built-in LCE module** on the valve body made up of transparent protection plug and customisable tag holder using the LSE set (available as accessory). The customisation potential **lets you identify the valve on the system** according to specific needs.
- Ideal for horizontal installations: **perfect seal even with low back pressure. Silent** and durable even with strong vibrations and pulsating fluid
- PVC-C shutter and springs available made of STAINLESS steel 316, Hastelloy C276, A316 PTFE encapsulated: maximum reliability in a wide field of applications from salt water to aggressive acids
- Connection system for solvent weld and threaded joints
- Valve material compatibility (PVC-C) **with water conveyance, drinking water and other food substances according to** current regulations
- **PN16 True Union valve body** made for PVC-C injection moulding and European Directive 2014/68/EU (PED) compliant for pressurised equipment. ISO 9393 compliant test requirements
- **Short face to face dimension** according to international regulation ISO 7508 series III "short" and fully interchangeable with VXE DN 10÷50 ball valve models
- Union nuts with rack for tightening adjustment via Easyfit handle or via Easytorque adjustment kit (available as accessories)
- Can be **installed** in either a **vertical** or **horizontal** position