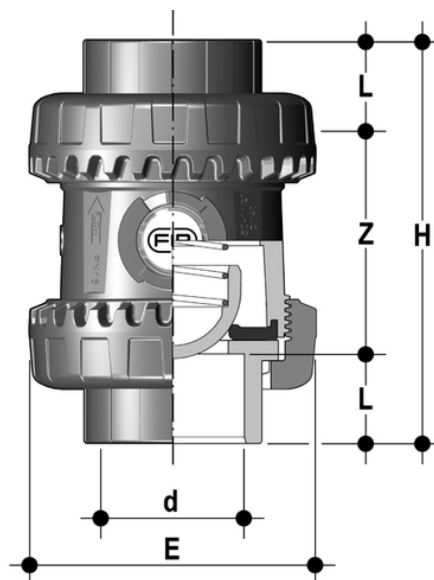


# SSEIC – EASYFIT TRUE UNION SPRING CHECK VALVE

True Union Spring Check Valve Easyfit with metric plain socket ends for solvent welding



## EPDM

Objednací číslo	Materiál	Kategorie	Série	d	DN	PN	E	H	L	Z	g
SSEIC040E0P	PVC-C system	Armatury	SXE-SSE DN 10÷50	40	32	16	85	120	26	68	481
SSEIC050E0P	PVC-C system	Armatury	SXE-SSE DN 10÷50	50	40	16	100	139	31	77	688
SSEIC063E0P	PVC-C system	Armatury	SXE-SSE DN 10÷50	63	50	16	118	174	38	98	1090

## FKM

Objednací číslo	Materiál	Kategorie	Série	d	DN	PN	E	H	L	Z	g
SSEIC040F0P	PVC-C system	Armatury	SXE-SSE DN 10÷50	40	32	16	85	120	26	68	481
SSEIC050F0P	PVC-C system	Armatury	SXE-SSE DN 10÷50	50	40	16	100	139	31	77	688
SSEIC063F0P	PVC-C system	Armatury	SXE-SSE DN 10÷50	63	50	16	118	174	38	98	1090

# SSEIC – EASYFIT TRUE UNION SPRING CHECK VALVE

- **Customisable Labelling System: built-in LCE module** on the valve body made up of transparent protection plug and customisable tag holder using the LSE set (available as accessory). The customisation potential **lets you identify the valve on the system** according to specific needs.
- Ideal for horizontal installations: **perfect seal even with low back pressure. Silent** and durable even with strong vibrations and pulsating fluid
- PVC-C shutter and springs available made of STAINLESS steel 316, Hastelloy C276, A316 PTFE encapsulated: maximum reliability in a wide field of applications from salt water to aggressive acids
- Connection system for solvent weld and threaded joints
- Valve material compatibility (PVC-C) **with water conveyance, drinking water and other food substances according to** current regulations
- **PN16 True Union valve body** made for PVC-C injection moulding and European Directive 2014/68/EU (PED) compliant for pressurised equipment. ISO 9393 compliant test requirements
- **Short face to face dimension** according to international regulation ISO 7508 series III "short" and fully interchangeable with VXE DN 10÷50 ball valve models
- Union nuts with rack for tightening adjustment via Easyfit handle or via Easytorque adjustment kit (available as accessories)
- Can be **installed** in either a **vertical** or **horizontal** position