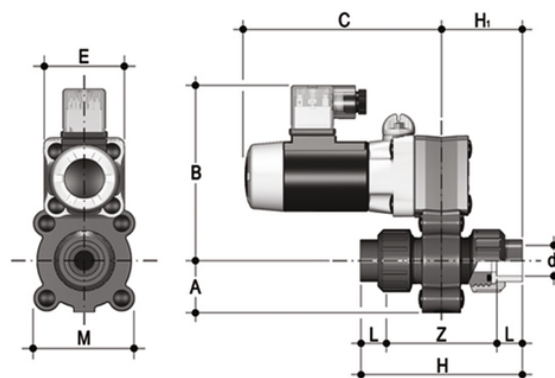


# S12IV - TRUE UNION 2-WAY SOLENOID VALVE

2 way solenoid valve with female union ends for solvent welding Function: Normally closed



## EPDM

Objednací číslo	Materiál	Kategorie	Série
S22NV0838E024A	FLS Measurement Instrumentation	Elektricky ovládané pohonované armatury	S1 DN 4÷15
S22NV0812E024A	FLS Measurement Instrumentation	Elektricky ovládané pohonované armatury	S1 DN 4÷15
S22NV1038E024A	FLS Measurement Instrumentation	Elektricky ovládané pohonované armatury	S1 DN 4÷15
S22NV1012E024A	FLS Measurement Instrumentation	Elektricky ovládané pohonované armatury	S1 DN 4÷15
S22NV1538E024A	FLS Measurement Instrumentation	Elektricky ovládané pohonované armatury	S1 DN 4÷15
S22NV1512E024A	FLS Measurement Instrumentation	Elektricky ovládané pohonované armatury	S1 DN 4÷15

## S12IV - TRUE UNION 2-WAY SOLENOID VALVE

Objednací číslo	Materiál	Kategorie	Série
S22NV0838F024A	FLS Measurement Instrumentation	Elektricky ovládané pohonované armatury	S2 DN 4÷15
S22NV0812F024A	FLS Measurement Instrumentation	Elektricky ovládané pohonované armatury	S2 DN 4÷15
S22NV1038F024A	FLS Measurement Instrumentation	Elektricky ovládané pohonované armatury	S2 DN 4÷15
S22NV1012F024A	FLS Measurement Instrumentation	Elektricky ovládané pohonované armatury	S2 DN 4÷15
S22NV1538F024A	FLS Measurement Instrumentation	Elektricky ovládané pohonované armatury	S2 DN 4÷15
S22NV1512F024A	FLS Measurement Instrumentation	Elektricky ovládané pohonované armatury	S2 DN 4÷15

# S12IV - TRUE UNION 2-WAY SOLENOID VALVE

- Installation flexibility and ease of maintenance: high-performance solenoid electric actuator with internal moving parts designed to exceed 5 million maintenance free operating cycles. Adjustable circular section coil with IP65 protection class.
  - DIN 43650 electrical connector supplied as standard: includes LED indicator light and rectifier (in the case of an AC coil).
  - Lever shutter in EPDM or FKM and lever in stainless steel.
  - Suitable for use with aggressive fluids: no metal component in contact with the fluid or the external environment; all the screws are covered by PE protection plugs.
  - Emergency override
- 
- 2-Way PVC-U body
  - Installation flexibility and ease of maintenance: high-performance solenoid electric actuator designed to exceed 5 million maintenance-free operating cycles
  - Adjustable circular section coil with IP65 protection class.
  - Integrated override with the possibility of being installed in 3 different positions.
  - Lever shutter in EPDM or FKM and lever in stainless steel.
  - DIN 43650 electrical connector supplied as standard: includes LED indicator light and rectifier (in the case of an AC coil).