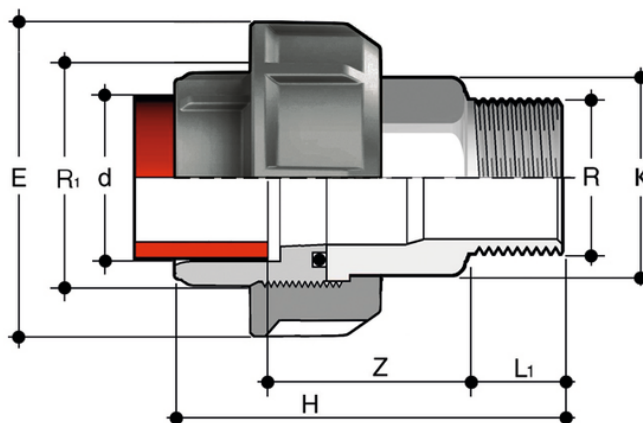
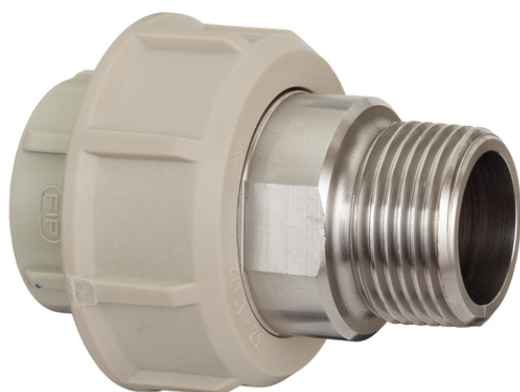


# BIRXM

Adaptor union in PP-H/STAINLESS steel for socket welding (d), BSP (R) threaded A316L STAINLESS steel male end with O-Ring in EPDM or FKM



Objednací číslo	Materiál	Kategorie
BIRXM020012E	PP-H system	Tvarovky
BIRXM025034E	PP-H system	Tvarovky
BIRXM032100E	PP-H system	Tvarovky
BIRXM040114E	PP-H system	Tvarovky
BIRXM050112E	PP-H system	Tvarovky
BIRXM063200E	PP-H system	Tvarovky