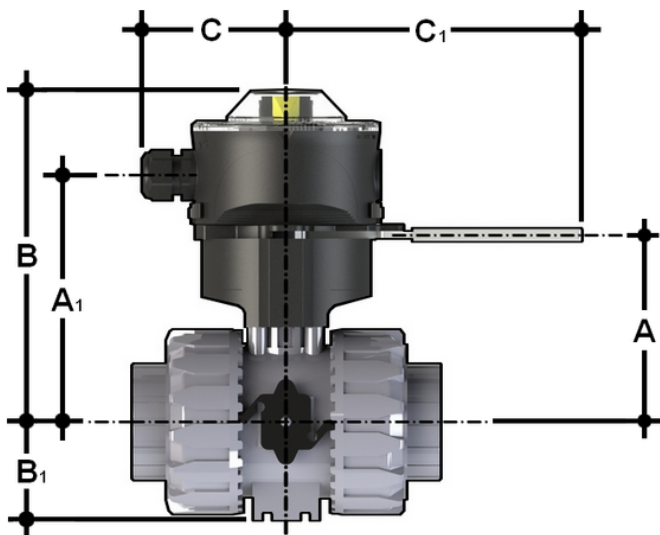


LS Quick Kit

The Limit Switch Quick Kit allows the fast and secure installation of the FIP LSQT to the VKD valves. The body is in PP-GR and the handle in stainless steel AISI 316. The handle block at 0° and 90° is also available by default (hole diameter 6.5 mm). The kit can be assembled on the valve even if already installed on the system. For technical data of the LSQT box see FIP actuated valves catalogue.



Objednací číslo	d	DN	product.detail.attribute.A	product.detail.attribute.A[5:1]	B	B (5:1)	C	C (5:1)	product.detail.attribute.to be used with:
LSQKIT20	20	15	60	91,5	137	29	76,5	157,5	VKD-TKD*
LSQKIT25	25	20	71	102,5	148	34,5	76,5	157,5	VKD-TKD*
LSQKIT32	32	25	76	107,5	153	39	76,5	157,5	VKD-TKD*
LSQKIT40	40	32	93	124,5	170	46	76,5	157,5	VKD-TKD*
LSQKIT50	50	40	99	130,5	176	52	76,5	157,5	VKD-TKD*
LSQKIT63	63	50	116	147,5	193	62	76,5	157,5	VKD-TKD*



LS Quick Kit

- Upper part (PVC-U)
 - Bottom part (PVC-U)
 - Bolts (zinc plated steel)
 - Nuts (zinc plated steel)
 - Gasket (NBR)
 - Reinforcing ring (Stainless steel)
- The reinforcing bush are used to reinforce the pipe PE100 (SDR11) e PE-X, to elong the lifetime of the pipeline and to reduce the collapse risk of the pipe in disadvantages conditions. They use is particularly suggested using PE-X pipes. The two tightening keys (d.16-63 and d.75-110) are important tools to install the **MAGNUM 3G** fittings