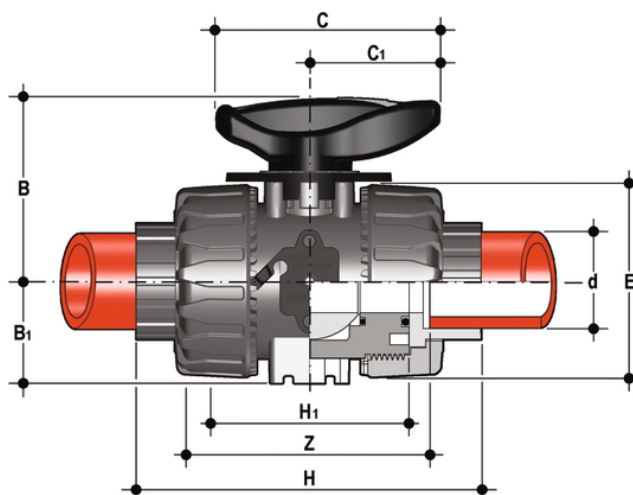


VKRIM - DUAL BLOCK® regulating ball valve

DUAL BLOCK® regulating ball valve with female ends for socket welding, metric series



EPDM

Objednací číslo	Materiál	Kategorie	Série	d	DN	PN	B	B (5:1)	C	C (5:1)	E	H	H (5:1)	Z
VKRIM016E	PP-H system	Armatury	VKR DN 10÷50	16	10	10	54	29	67	40	54	102	65	74,5
VKRIM020E	PP-H system	Armatury	VKR DN 10÷50	20	15	10	54	29	67	40	54	102	65	73
VKRIM025E	PP-H system	Armatury	VKR DN 10÷50	25	20	10	65	34,5	85	49	65	114	70	82
VKRIM032E	PP-H system	Armatury	VKR DN 10÷50	32	25	10	69,5	39	85	49	73	126	78	90
VKRIM040E	PP-H system	Armatury	VKR DN 10÷50	40	32	10	82,5	46	108	64	86	141	88	100
VKRIM050E	PP-H system	Armatury	VKR DN 10÷50	50	40	10	89	52	108	64	98	164	93	117
VKRIM063E	PP-H system	Armatury	VKR DN 10÷50	63	50	10	108	62	134	76	122	199	111	144

EPDM

Objednací číslo	Materiál	Kategorie	Série	d	DN	PN	B	B (5:1)	C	C (5:1)	E	H	H (5:1)	Z
VKRIM016EOLF	PP-H system	Armatury	VKR DN 10÷50	16	10	10	54	29	67	40	54	102	65	74,5
VKRIM020EOLF	PP-H system	Armatury	VKR DN 10÷50	20	15	10	54	29	67	40	54	102	65	73
VKRIM025EOLF	PP-H system	Armatury	VKR DN 10÷50	25	20	10	65	34,5	85	49	65	114	70	82
VKRIM032EOLF	PP-H system	Armatury	VKR DN 10÷50	32	25	10	69,5	39	85	49	73	126	78	90
VKRIM040EOLF	PP-H system	Armatury	VKR DN 10÷50	40	32	10	82,5	46	108	64	86	141	88	100
VKRIM050EOLF	PP-H system	Armatury	VKR DN 10÷50	50	40	10	89	52	108	64	98	164	93	117
VKRIM063EOLF	PP-H system	Armatury	VKR DN 10÷50	63	50	10	108	62	134	76	122	199	111	144

VKRIM – DUAL BLOCK® regulating ball valve

EPDM

Objednací číslo	Materiál	Kategorie	Série	d	DN	PN	B	B (5:1)	C	C (5:1)	E	H	H (5:1)	Z
VKRIM016E0SF	PP-H system	Armatury	VKR DN 10÷50	16	10	10	54	29	67	40	54	102	65	74,5
VKRIM020E0SF	PP-H system	Armatury	VKR DN 10÷50	20	15	10	54	29	67	40	54	102	65	73
VKRIM025E0SF	PP-H system	Armatury	VKR DN 10÷50	25	20	10	65	34,5	85	49	65	114	70	82
VKRIM032E0SF	PP-H system	Armatury	VKR DN 10÷50	32	25	10	69,5	39	85	49	73	126	78	90
VKRIM040E0SF	PP-H system	Armatury	VKR DN 10÷50	40	32	10	82,5	46	108	64	86	141	88	100
VKRIM050E0SF	PP-H system	Armatury	VKR DN 10÷50	50	40	10	89	52	108	64	98	164	93	117
VKRIM063E0SF	PP-H system	Armatury	VKR DN 10÷50	63	50	10	108	62	134	76	122	199	111	144

FKM

Objednací číslo	Materiál	Kategorie	Série	d	DN	PN	B	B (5:1)	C	C (5:1)	E	H	H (5:1)	Z
VKRIM016F	PP-H system	Armatury	VKR DN 10÷50	16	10	10	54	29	67	40	54	102	65	74,5
VKRIM020F	PP-H system	Armatury	VKR DN 10÷50	20	15	10	54	29	67	40	54	102	65	73
VKRIM025F	PP-H system	Armatury	VKR DN 10÷50	25	20	10	65	34,5	85	49	65	114	70	82
VKRIM032F	PP-H system	Armatury	VKR DN 10÷50	32	25	10	69,5	39	85	49	73	126	78	90
VKRIM040F	PP-H system	Armatury	VKR DN 10÷50	40	32	10	82,5	46	108	64	86	141	88	100
VKRIM050F	PP-H system	Armatury	VKR DN 10÷50	50	40	10	89	52	108	64	98	164	93	117
VKRIM063F	PP-H system	Armatury	VKR DN 10÷50	63	50	10	108	62	134	76	122	199	111	144

FKM

Objednací číslo	Materiál	Kategorie	Série	d	DN	PN	B	B (5:1)	C	C (5:1)	E	H	H (5:1)	Z
VKRIM016FOLF	PP-H system	Armatury	VKR DN 10÷50	16	10	10	54	29	67	40	54	102	65	74,5
VKRIM020FOLF	PP-H system	Armatury	VKR DN 10÷50	20	15	10	54	29	67	40	54	102	65	73
VKRIM025FOLF	PP-H system	Armatury	VKR DN 10÷50	25	20	10	65	34,5	85	49	65	114	70	82
VKRIM032FOLF	PP-H system	Armatury	VKR DN 10÷50	32	25	10	69,5	39	85	49	73	126	78	90
VKRIM040FOLF	PP-H system	Armatury	VKR DN 10÷50	40	32	10	82,5	46	108	64	86	141	88	100
VKRIM050FOLF	PP-H system	Armatury	VKR DN 10÷50	50	40	10	89	52	108	64	98	164	93	117
VKRIM063FOLF	PP-H system	Armatury	VKR DN 10÷50	63	50	10	108	62	134	76	122	199	111	144

FKM

Objednací číslo	Materiál	Kategorie	Série	d	DN	PN	B	B (5:1)	C	C (5:1)	E	H	H (5:1)	Z
VKRIM016F0SF	PP-H system	Armatury	VKR DN 10÷50	16	10	10	54	29	67	40	54	102	65	74,5
VKRIM020F0SF	PP-H system	Armatury	VKR DN 10÷50	20	15	10	54	29	67	40	54	102	65	73
VKRIM025F0SF	PP-H system	Armatury	VKR DN 10÷50	25	20	10	65	34,5	85	49	65	114	70	82
VKRIM032F0SF	PP-H system	Armatury	VKR DN 10÷50	32	25	10	69,5	39	85	49	73	126	78	90

VKRIM - DUAL BLOCK® regulating ball valve

Objednací číslo	Materiál	Kategorie	Série	d	DN	PN	B	B (5:1)	C	C (5:1)	E	H	H (5:1)	Z
VKRIM040FOSF	PP-H system	Armatury	VKR DN 10÷50	40	32	10	82,5	46	108	64	86	141	88	100
VKRIM050FOSF	PP-H system	Armatury	VKR DN 10÷50	50	40	10	89	52	108	64	98	164	93	117
VKRIM063FOSF	PP-H system	Armatury	VKR DN 10÷50	63	50	10	108	62	134	76	122	199	111	144

VKRIM – DUAL BLOCK® regulating ball valve

- HIPVC ergonomic multifunctional handle with **position indicator** and tool to adjust the ball seat carrier
- Flow direction and opening angle indication plate with **graduated scale with 5° detail** for clear and accurate readings
- 90° operating angle that permits **the use of standard** quarter turn **actuators**
- The patented ball design provides **linear flow adjustment** throughout its range of operation even when the valve is open just a few degrees and guarantees minimum pressure drops
- Patented **DUAL BLOCK®** system: prevents union nuts from loosening even under extreme operating conditions: e.g. vibration or thermal expansion

- Connection system for solvent weld, threaded and flanged joints
- Patented **SEAT STOP®** ball carrier system that lets you micro-adjust seals and minimise the axial force effect
- Easy radial dismounting allowing quick replacement of O-rings and ball seats without any need for tools
- **PN16 True Union valve body** made for rigid PVC-U injection moulding equipped with built-in bores for actuation. ISO 9393 compliant test requisites
- Option of dismounting downstream pipes with the valve in the closed position
- High surface finish stem with double O-Ring and double connection key to ball
- **Integrated bracket** for valve anchoring
- Ball seat carrier can be adjusted using the **Easytorque adjustment kit**
- Actuation option: version with electric modulating actuator with 4-20 mA / 0-10 V inlet and 4-20 mA / 0-10 V outlet to monitor the position
- Valve suitable for carrying fluids that are clean and free of suspended particles