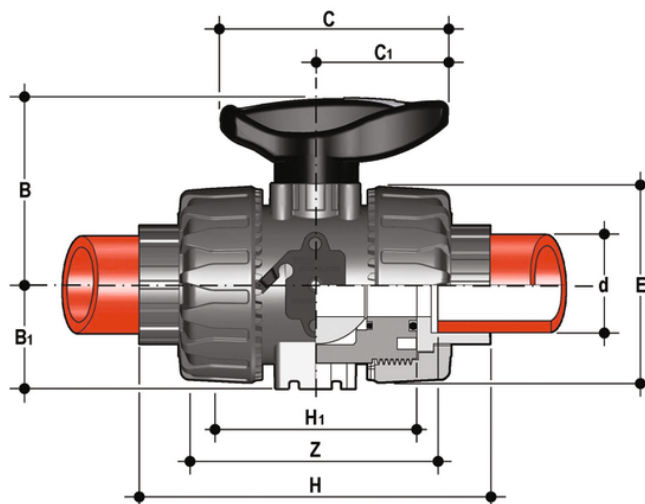


# VKDIM - DUAL BLOCK® 2-way ball valve

Dual Block® 2-way ball valve with female ends for socket welding, metric series



## EPDM

Objednací číslo	Materiál	Kategorie	Série	d	DN	PN	B	B (5:1)	C	C (5:1)	E	H	H (5:1)	Z	g
VKDIM016E	PP-H system	Armatury	VKD DN 10÷50	16	10	10	54	29	67	40	54	102	65	74,5	150
VKDIM020E	PP-H system	Armatury	VKD DN 10÷50	20	15	10	54	29	67	40	54	102	65	73	145
VKDIM025E	PP-H system	Armatury	VKD DN 10÷50	25	20	10	65	34,5	85	49	65	114	70	82	218
VKDIM032E	PP-H system	Armatury	VKD DN 10÷50	32	25	10	69,5	39	85	49	73	126	78	90	298
VKDIM040E	PP-H system	Armatury	VKD DN 10÷50	40	32	10	82,5	46	108	64	86	141	88	100	480
VKDIM050E	PP-H system	Armatury	VKD DN 10÷50	50	40	10	89	52	108	64	98	164	93	117	682
VKDIM063E	PP-H system	Armatury	VKD DN 10÷50	63	50	10	108	62	134	76	122	199	111	144	1166

## EPDM

Objednací číslo	Materiál	Kategorie	Série	d	DN	PN	B	B (5:1)	C	C (5:1)	E	H	H (5:1)	Z	g
VKDIM016EOLF	PP-H system	Armatury	VKD DN 10÷50	16	10	10	54	29	67	40	54	102	65	74,5	150
VKDIM020EOLF	PP-H system	Armatury	VKD DN 10÷50	20	15	10	54	29	67	40	54	102	65	73	145
VKDIM025EOLF	PP-H system	Armatury	VKD DN 10÷50	25	20	10	65	34,5	85	49	65	114	70	82	218
VKDIM032EOLF	PP-H system	Armatury	VKD DN 10÷50	32	25	10	69,5	39	85	49	73	126	78	90	298
VKDIM040EOLF	PP-H system	Armatury	VKD DN 10÷50	40	32	10	82,5	46	108	64	86	141	88	100	480
VKDIM050EOLF	PP-H system	Armatury	VKD DN 10÷50	50	40	10	89	52	108	64	98	164	93	117	682
VKDIM063EOLF	PP-H system	Armatury	VKD DN 10÷50	63	50	10	108	62	134	76	122	199	111	144	1166

# VKDIM - DUAL BLOCK® 2-way ball valve

## EPDM

Objednací číslo	Materiál	Kategorie	Série	d	DN	PN	B	B (5:1)	C	C (5:1)	E	H	H (5:1)	Z	g
VKDIM016E0SF	PP-H system	Armatury	VKD DN 10÷50	16	10	10	54	29	67	40	54	102	65	74,5	150
VKDIM020E0SF	PP-H system	Armatury	VKD DN 10÷50	20	15	10	54	29	67	40	54	102	65	73	145
VKDIM025E0SF	PP-H system	Armatury	VKD DN 10÷50	25	20	10	65	34,5	85	49	65	114	70	82	218
VKDIM032E0SF	PP-H system	Armatury	VKD DN 10÷50	32	25	10	69,5	39	85	49	73	126	78	90	298
VKDIM040E0SF	PP-H system	Armatury	VKD DN 10÷50	40	32	10	82,5	46	108	64	86	141	88	100	480
VKDIM050E0SF	PP-H system	Armatury	VKD DN 10÷50	50	40	10	89	52	108	64	98	164	93	117	682
VKDIM063E0SF	PP-H system	Armatury	VKD DN 10÷50	63	50	10	108	62	134	76	122	199	111	144	1166

## FKM

Objednací číslo	Materiál	Kategorie	Série	d	DN	PN	B	B (5:1)	C	C (5:1)	E	H	H (5:1)	Z	g
VKDIM016F	PP-H system	Armatury	VKD DN 10÷50	16	10	10	54	29	67	40	54	102	65	74,5	150
VKDIM020F	PP-H system	Armatury	VKD DN 10÷50	20	15	10	54	29	67	40	54	102	65	73	145
VKDIM025F	PP-H system	Armatury	VKD DN 10÷50	25	20	10	65	34,5	85	49	65	114	70	82	218
VKDIM032F	PP-H system	Armatury	VKD DN 10÷50	32	25	10	69,5	39	85	49	73	126	78	90	298
VKDIM040F	PP-H system	Armatury	VKD DN 10÷50	40	32	10	82,5	46	108	64	86	141	88	100	480
VKDIM050F	PP-H system	Armatury	VKD DN 10÷50	50	40	10	89	52	108	64	98	164	93	117	682
VKDIM063F	PP-H system	Armatury	VKD DN 10÷50	63	50	10	108	62	134	76	122	199	111	144	1166

## FKM

Objednací číslo	Materiál	Kategorie	Série	d	DN	PN	B	B (5:1)	C	C (5:1)	E	H	H (5:1)	Z	g
VKDIM016FOLF	PP-H system	Armatury	VKD DN 10÷50	16	10	10	54	29	67	40	54	102	65	74,5	150
VKDIM020FOLF	PP-H system	Armatury	VKD DN 10÷50	20	15	10	54	29	67	40	54	102	65	73	145
VKDIM025FOLF	PP-H system	Armatury	VKD DN 10÷50	25	20	10	65	34,5	85	49	65	114	70	82	218
VKDIM032FOLF	PP-H system	Armatury	VKD DN 10÷50	32	25	10	69,5	39	85	49	73	126	78	90	298
VKDIM040FOLF	PP-H system	Armatury	VKD DN 10÷50	40	32	10	82,5	46	108	64	86	141	88	100	480
VKDIM050FOLF	PP-H system	Armatury	VKD DN 10÷50	50	40	10	89	52	108	64	98	164	93	117	682
VKDIM063FOLF	PP-H system	Armatury	VKD DN 10÷50	63	50	10	108	62	134	76	122	199	111	144	1166

## FKM

Objednací číslo	Materiál	Kategorie	Série	d	DN	PN	B	B (5:1)	C	C (5:1)	E	H	H (5:1)	Z	g
VKDIM016F0SF	PP-H system	Armatury	VKD DN 10÷50	16	10	10	54	29	67	40	54	102	65	74,5	150
VKDIM020F0SF	PP-H system	Armatury	VKD DN 10÷50	20	15	10	54	29	67	40	54	102	65	73	145
VKDIM025F0SF	PP-H system	Armatury	VKD DN 10÷50	25	20	10	65	34,5	85	49	65	114	70	82	218
VKDIM032F0SF	PP-H system	Armatury	VKD DN 10÷50	32	25	10	69,5	39	85	49	73	126	78	90	298

# VKDIM - DUAL BLOCK® 2-way ball valve

Objednací číslo	Materiál	Kategorie	Série	d	DN	PN	B	B (5:1)	C	C (5:1)	E	H	H (5:1)	Z	g
VKDIM040FOSF	PP-H system	Armatury	VKD DN 10÷50	40	32	10	82,5	46	108	64	86	141	88	100	480
VKDIM050FOSF	PP-H system	Armatury	VKD DN 10÷50	50	40	10	89	52	108	64	98	164	93	117	682
VKDIM063FOSF	PP-H system	Armatury	VKD DN 10÷50	63	50	10	108	62	134	76	122	199	111	144	1166

# VKDIM – DUAL BLOCK® 2-way ball valve

- Ergonomic HIPVC handle equipped with **removable tool to adjust the ball seat carrier**.
- **Handle lock 0°– 90°** SHKD (available as an accessory) ergonomically operable during service and padlockable
- Robust **integrated bracket for valve anchoring**, for easy and quick automation even after valve installation on the system via the Power Quick module (optional)
- **DUAL BLOCK®** patented lock system that ensures union nut tightening hold even in severe conditions such as vibrations or heat dilation
- Machined high surface finish ball that guarantees a smooth operation and increased reliability
  
- Connection system for solvent weld, threaded and flanged joints
- Patented **SEAT STOP®** ball carrier system that lets you micro-adjust ball seats and minimise the axial force effect
- Easy radial dismounting allowing quick replacement of O-rings and ball seats without any need for tools
- **PN16 True Union valve body** made for rigid PVC-U injection moulding equipped with built-in bores for actuation. ISO 9393 compliant test requisites
- Option of dismounting downstream pipes with the valve in the closed position
- Floating **full bore ball** with high surface finish
- **Integrated bracket** for valve anchoring
- Ball seat carriers can be adjusted using the **Easytorque adjustment kit**
- Possibility to have handle with integrated LSQT limit micro switch, even as a retrofit in existing installations