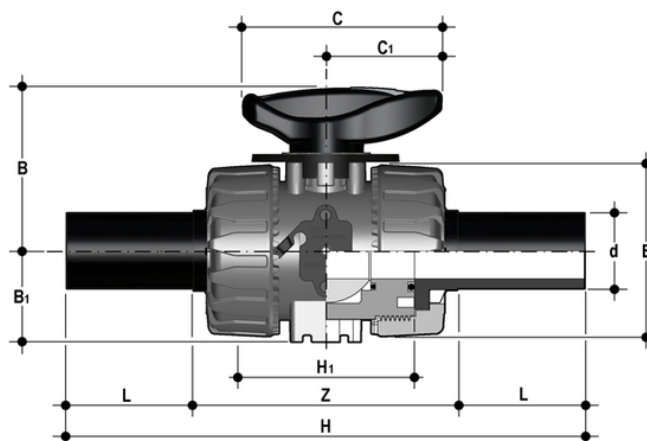


VKRBEM – DUAL BLOCK® regulating ball valve

Dual Block® regulating ball valve with PE100 SDR 11 male end connectors for butt welding or electrofusion (CVDE)



EPDM

| Objednací číslo | Materiál | Kategorie | Série | d | DN | PN | B | B (5:1) | C | C (5:1) | E | H | H (5:1) | L | Z | g |
|-----------------|-------------|-----------|--------------|----|----|----|------|---------|-----|---------|-----|-----|---------|------|-----|------|
| VKRBEM020E | PP-H system | Armatury | VKR DN 10÷50 | 20 | 15 | 10 | 54 | 29 | 67 | 40 | 54 | 175 | 65 | 40,5 | 94 | 210 |
| VKRBEM025E | PP-H system | Armatury | VKR DN 10÷50 | 25 | 20 | 10 | 65 | 34,5 | 85 | 49 | 65 | 213 | 70 | 54 | 106 | 325 |
| VKRBEM032E | PP-H system | Armatury | VKR DN 10÷50 | 32 | 25 | 10 | 69,5 | 39 | 85 | 49 | 73 | 228 | 78 | 56 | 117 | 420 |
| VKRBEM040E | PP-H system | Armatury | VKR DN 10÷50 | 40 | 32 | 10 | 82,5 | 46 | 108 | 64 | 86 | 247 | 88 | 56 | 131 | 570 |
| VKRBEM050E | PP-H system | Armatury | VKR DN 10÷50 | 50 | 40 | 10 | 89 | 52 | 108 | 64 | 98 | 271 | 93 | 60,5 | 145 | 900 |
| VKRBEM063E | PP-H system | Armatury | VKR DN 10÷50 | 63 | 50 | 10 | 108 | 62 | 134 | 76 | 122 | 300 | 111 | 65,5 | 161 | 1500 |

FKM

| Objednací číslo | Materiál | Kategorie | Série | d | DN | PN | B | B (5:1) | C | C (5:1) | E | H | H (5:1) | L | Z | g |
|-----------------|-------------|-----------|--------------|----|----|----|------|---------|-----|---------|-----|-----|---------|------|-----|------|
| VKRBEM020F | PP-H system | Armatury | VKR DN 10÷50 | 20 | 15 | 10 | 54 | 29 | 67 | 40 | 54 | 175 | 65 | 40,5 | 94 | 210 |
| VKRBEM025F | PP-H system | Armatury | VKR DN 10÷50 | 25 | 20 | 10 | 65 | 34,5 | 85 | 49 | 65 | 213 | 70 | 54 | 106 | 325 |
| VKRBEM032F | PP-H system | Armatury | VKR DN 10÷50 | 32 | 25 | 10 | 69,5 | 39 | 85 | 49 | 73 | 228 | 78 | 56 | 117 | 420 |
| VKRBEM040F | PP-H system | Armatury | VKR DN 10÷50 | 40 | 32 | 10 | 82,5 | 46 | 108 | 64 | 86 | 247 | 88 | 56 | 131 | 570 |
| VKRBEM050F | PP-H system | Armatury | VKR DN 10÷50 | 50 | 40 | 10 | 89 | 52 | 108 | 64 | 98 | 271 | 93 | 60,5 | 145 | 900 |
| VKRBEM063F | PP-H system | Armatury | VKR DN 10÷50 | 63 | 50 | 10 | 108 | 62 | 134 | 76 | 122 | 300 | 111 | 65,5 | 161 | 1500 |

VKRBEM – DUAL BLOCK®

regulating ball valve

- HIPVC ergonomic multifunctional handle with **position indicator** and tool to adjust the ball seat carrier
- Flow direction and opening angle indication plate with **graduated scale with 5° detail** for clear and accurate readings
- 90° operating angle that permits **the use of standard** quarter turn **actuators**
- The patented ball design provides **linear flow adjustment** throughout its range of operation even when the valve is open just a few degrees and guarantees minimum pressure drops
- Patented **DUAL BLOCK®** system: prevents union nuts from loosening even under extreme operating conditions: e.g. vibration or thermal expansion

- Connection system for solvent weld, threaded and flanged joints
- Patented **SEAT STOP®** ball carrier system that lets you micro-adjust seals and minimise the axial force effect
- Easy radial dismounting allowing quick replacement of O-rings and ball seats without any need for tools
- **PN16 True Union valve body** made for rigid PVC-U injection moulding equipped with built-in bores for actuation. ISO 9393 compliant test requisites
- Option of dismounting downstream pipes with the valve in the closed position
- High surface finish stem with double O-Ring and double connection key to ball
- **Integrated bracket** for valve anchoring
- Ball seat carrier can be adjusted using the **Easytorque adjustment kit**
- Actuation option: version with electric modulating actuator with 4-20 mA / 0-10 V inlet and 4-20 mA / 0-10 V outlet to monitor the position
- Valve suitable for carrying fluids that are clean and free of suspended particles