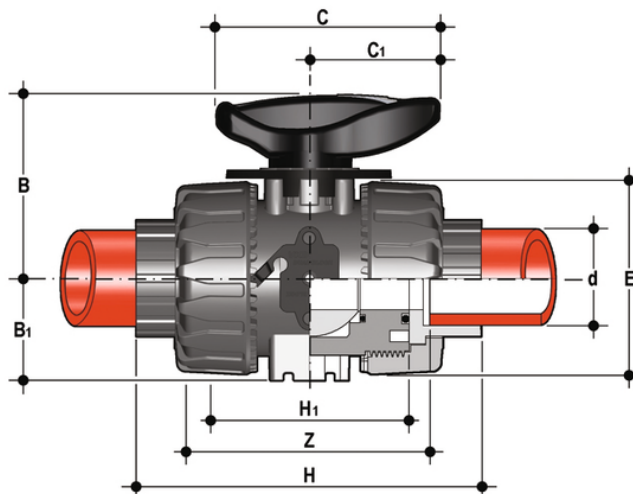


VKRIF - DUAL BLOCK[®] regulating ball valve

DUAL BLOCK[®] regulating ball valve with female ends for socket welding, metric series



| Objednáací číslo | Materiál | Kategorie | Série | d | DN | PN | B | B (5:1) | C | C (5:1) | E | H | H (5:1) | Z | g |
|------------------|-------------|-----------|--------------|----|----|----|------|---------|-----|---------|-----|-----|---------|------|------|
| VKRIF016F | PVDF system | Armatury | VKR DN 10÷50 | 16 | 10 | 16 | 54 | 29 | 67 | 40 | 54 | 102 | 65 | 74,5 | 291 |
| VKRIF020F | PVDF system | Armatury | VKR DN 10÷50 | 20 | 15 | 16 | 54 | 29 | 67 | 40 | 54 | 102 | 65 | 73 | 272 |
| VKRIF025F | PVDF system | Armatury | VKR DN 10÷50 | 25 | 20 | 16 | 65 | 34,5 | 85 | 49 | 65 | 114 | 70 | 82 | 445 |
| VKRIF032F | PVDF system | Armatury | VKR DN 10÷50 | 32 | 25 | 16 | 69,5 | 39 | 85 | 49 | 73 | 126 | 78 | 90 | 584 |
| VKRIF040F | PVDF system | Armatury | VKR DN 10÷50 | 40 | 32 | 16 | 82,5 | 46 | 108 | 64 | 86 | 141 | 88 | 100 | 938 |
| VKRIF050F | PVDF system | Armatury | VKR DN 10÷50 | 50 | 40 | 16 | 89 | 52 | 108 | 64 | 98 | 164 | 93 | 117 | 1242 |
| VKRIF063F | PVDF system | Armatury | VKR DN 10÷50 | 63 | 50 | 16 | 108 | 62 | 134 | 76 | 122 | 199 | 111 | 144 | 2187 |

VKRIF – DUAL BLOCK® regulating ball valve

- HIPVC ergonomic multifunctional handle with **position indicator** and tool to adjust the ball seat carrier
- Flow direction and opening angle indication plate with **graduated scale with 5° detail** for clear and accurate readings
- 90° operating angle that permits **the use of standard** quarter turn **actuators**
- The patented ball design provides **linear flow adjustment** throughout its range of operation even when the valve is open just a few degrees and guarantees minimum pressure drops
- Patented **DUAL BLOCK®** system: prevents union nuts from loosening even under extreme operating conditions: e.g. vibration or thermal expansion

- Connection system for solvent weld, threaded and flanged joints
- Patented **SEAT STOP®** ball carrier system that lets you micro-adjust seals and minimise the axial force effect
- Easy radial dismounting allowing quick replacement of O-rings and ball seats without any need for tools
- **PN16 True Union valve body** made for rigid PVC-U injection moulding equipped with built-in bores for actuation. ISO 9393 compliant test requisites
- Option of dismounting downstream pipes with the valve in the closed position
- High surface finish stem with double O-Ring and double connection key to ball
- **Integrated bracket** for valve anchoring
- Ball seat carrier can be adjusted using the **Easytorque adjustment kit**
- Actuation option: version with electric modulating actuator with 4-20 mA / 0-10 V inlet and 4-20 mA / 0-10 V outlet to monitor the position
- Valve suitable for carrying fluids that are clean and free of suspended particles