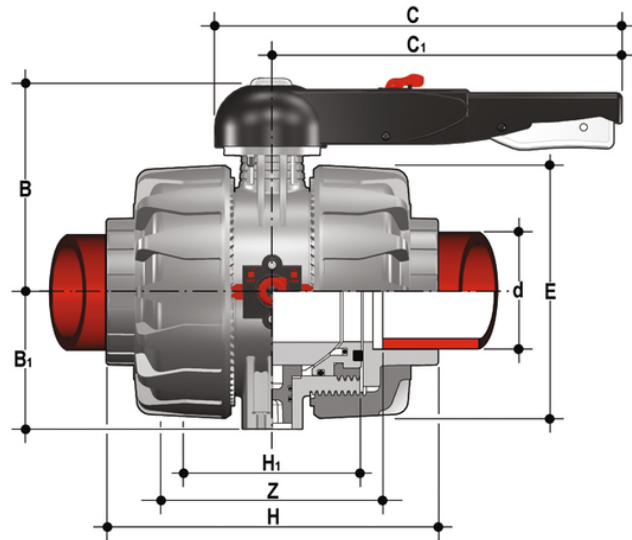


# VKDIF - DUAL BLOCK® 2-way ball valve

DUAL BLOCK® 2-way ball valve with female ends for socket welding, metric series



| Objednáací číslo | Materiál    | Kategorie | Série         | d   | DN  | PN | B   | B (5:1) | C   | C (5:1) | E   | H   | H (5:1) | Z   | g     |
|------------------|-------------|-----------|---------------|-----|-----|----|-----|---------|-----|---------|-----|-----|---------|-----|-------|
| VKDIF075F        | PVDF system | Armatury  | VKD DN 65÷100 | 75  | 65  | 16 | 164 | 87      | 225 | 175     | 162 | 213 | 133     | 153 | 4380  |
| VKDIF090F        | PVDF system | Armatury  | VKD DN 65÷100 | 90  | 80  | 16 | 177 | 105     | 327 | 272     | 202 | 239 | 149     | 173 | 7200  |
| VKDIF110F        | PVDF system | Armatury  | VKD DN 65÷100 | 110 | 100 | 16 | 195 | 129     | 385 | 330     | 236 | 268 | 167     | 199 | 11141 |

# VKDIF – DUAL BLOCK® 2-way ball valve

- HIPVC ergonomic multifunctional handle for quick operation, **lock and graduated adjustment in 10 positions**. Possibility of inhibiting rotation with a lock
- Customisable Labelling System: LCE module made of a transparent protection plug and **customisable tag holder** using the LSE set (available as accessory). The customisation lets you identify the valve on the system according to specific needs
- **DUAL BLOCK®** patented lock system that ensures union nut tightening hold even in severe conditions such as vibrations or heat dilation
- **Double stem** with double O-Rings for ball centring and operating torque reduction
- Machined high surface finish ball that guarantees a smooth operation and increased reliability
  
- Connection system for solvent weld, threaded and flanged joints
- Patented **SEAT STOP®** ball carrier system that lets you micro-adjust seals and minimise axial force effects
- Easy radial dismounting allowing quick replacement of O-rings and ball seats without any need for tools
- **PN16 True Union valve body** made for rigid PVC-U injection moulding equipped with built-in bores for actuation. ISO 9393 compliant test requisites
- Option of dismounting downstream pipes with the valve in the closed position
- **Full bore ball** with high surface finish
- **Integrated bracket** for valve anchoring
- Possibility of installing a manual reducer or pneumatic and/or electric actuators by applying an ISO standard bore PP-GR flange
- **STAINLESS steel co-moulded stem**, with square section as per ISO 5211
- Possibility to have handle with integrated LSQT limit micro switch, even as a retrofit in existing installations