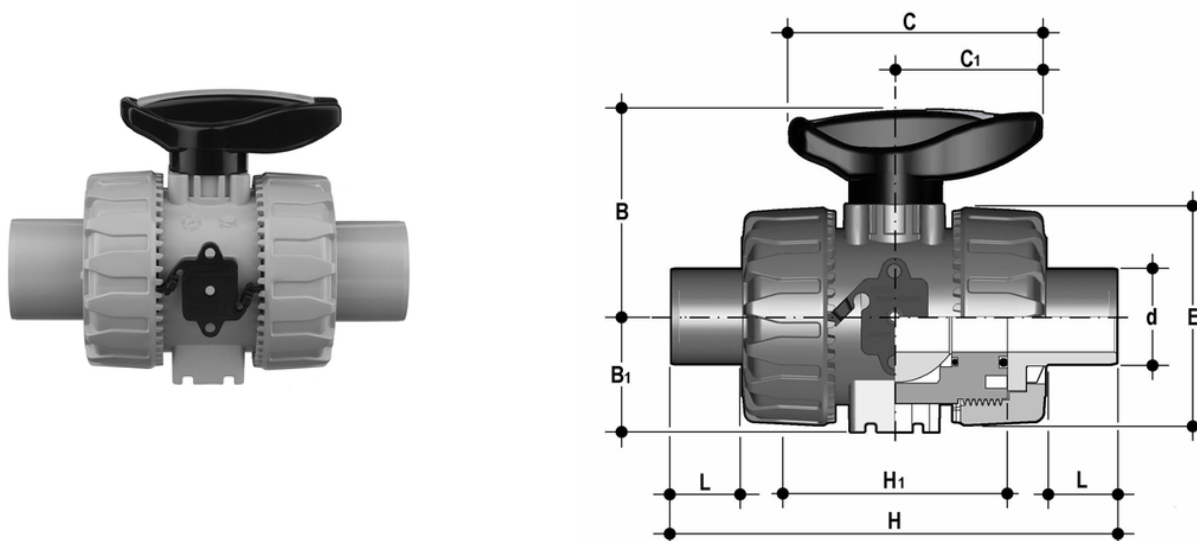


VKDDC - DUAL BLOCK® 2-WAY BALL VALVE

DUAL BLOCK® 2-way ball valve with male ends for solvent welding, metric series



EPDM

| Objednací číslo | Materiál | Kategorie | Série | d | DN | PN | B | B (5:1) | C | C (5:1) | E | H | H (5:1) | L | g |
|-----------------|--------------|-----------|--------------|----|----|----|------|---------|-----|---------|-----|-----|---------|----|------|
| VKDDC020E | PVC-C system | Armatury | VKD DN 10÷50 | 20 | 15 | 16 | 54 | 29 | 67 | 40 | 54 | 124 | 65 | 16 | 239 |
| VKDDC025E | PVC-C system | Armatury | VKD DN 10÷50 | 25 | 20 | 16 | 65 | 34,5 | 85 | 49 | 65 | 144 | 70 | 19 | 369 |
| VKDDC032E | PVC-C system | Armatury | VKD DN 10÷50 | 32 | 25 | 16 | 69,5 | 39 | 85 | 49 | 73 | 154 | 78 | 22 | 482 |
| VKDDC040E | PVC-C system | Armatury | VKD DN 10÷50 | 40 | 32 | 16 | 82,5 | 46 | 108 | 64 | 86 | 174 | 88 | 26 | 753 |
| VKDDC050E | PVC-C system | Armatury | VKD DN 10÷50 | 50 | 40 | 16 | 89 | 52 | 108 | 64 | 98 | 194 | 93 | 31 | 1029 |
| VKDDC063E | PVC-C system | Armatury | VKD DN 10÷50 | 63 | 50 | 16 | 108 | 62 | 134 | 76 | 122 | 224 | 111 | 38 | 1749 |

FKM

| Objednací číslo | Materiál | Kategorie | Série | d | DN | PN | B | B (5:1) | C | C (5:1) | E | H | H (5:1) | L | g |
|-----------------|--------------|-----------|--------------|----|----|----|------|---------|-----|---------|-----|-----|---------|----|------|
| VKDDC020F | PVC-C system | Armatury | VKD DN 10÷50 | 20 | 15 | 16 | 54 | 29 | 67 | 40 | 54 | 124 | 65 | 16 | 239 |
| VKDDC025F | PVC-C system | Armatury | VKD DN 10÷50 | 25 | 20 | 16 | 65 | 34,5 | 85 | 49 | 65 | 144 | 70 | 19 | 369 |
| VKDDC032F | PVC-C system | Armatury | VKD DN 10÷50 | 32 | 25 | 16 | 69,5 | 39 | 85 | 49 | 73 | 154 | 78 | 22 | 482 |
| VKDDC040F | PVC-C system | Armatury | VKD DN 10÷50 | 40 | 32 | 16 | 82,5 | 46 | 108 | 64 | 86 | 174 | 88 | 26 | 753 |
| VKDDC050F | PVC-C system | Armatury | VKD DN 10÷50 | 50 | 40 | 16 | 89 | 52 | 108 | 64 | 98 | 194 | 93 | 31 | 1029 |
| VKDDC063F | PVC-C system | Armatury | VKD DN 10÷50 | 63 | 50 | 16 | 108 | 62 | 134 | 76 | 122 | 224 | 111 | 38 | 1749 |

VKDDC – DUAL BLOCK® 2-WAY BALL VALVE

- Ergonomic HIPVC handle equipped with **removable tool to adjust the ball seat carrier**.
- **Handle lock 0°– 90°** SHKD (available as an accessory) ergonomically operable during service and padlockable
- Robust **integrated bracket for valve anchoring**, for easy and quick automation even after valve installation on the system via the Power Quick module (optional)
- **DUAL BLOCK®** patented lock system that ensures union nut tightening hold even in severe conditions such as vibrations or heat dilation
- Machined high surface finish ball that guarantees a smooth operation and increased reliability

- Connection system for solvent weld, threaded and flanged joints
- Patented **SEAT STOP®** ball carrier system that lets you micro-adjust ball seats and minimise the axial force effect
- Easy radial dismounting allowing quick replacement of O-rings and ball seats without any need for tools
- **PN16 True Union valve body** made for rigid PVC-U injection moulding equipped with built-in bores for actuation. ISO 9393 compliant test requisites
- Option of dismounting downstream pipes with the valve in the closed position
- Floating **full bore ball** with high surface finish
- **Integrated bracket** for valve anchoring
- Ball seat carriers can be adjusted using the **Easytorque adjustment kit**
- Possibility to have handle with integrated LSQT limit micro switch, even as a retrofit in existing installations