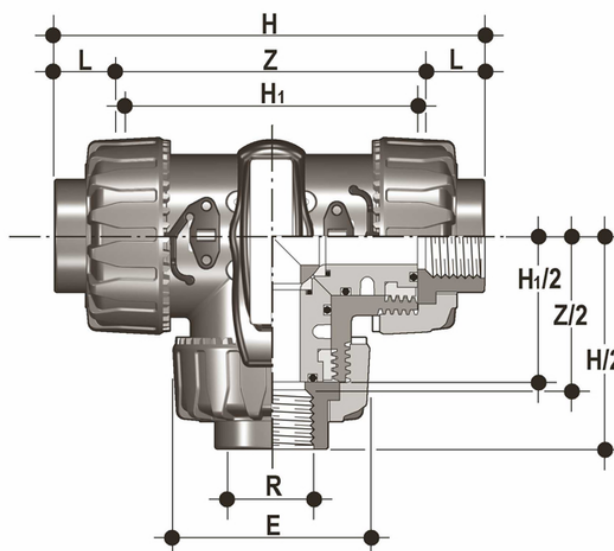


# TKDGV - DUAL BLOCK® 3-way ball valve

DUAL BLOCK® 3-way ball valve with female ends, JIS thread, T-port ball



## EPDM

Objednací číslo	Materiál	Kategorie	Série	product.detail.attribute.R	DN	PN	E	H	H (5:1)	L	Z	g
TKDGV012E	PVC-U system	Armatury	TKD DN 10÷50	1/2"	15	16	54	118	80	16	86	310
TKDGV034E	PVC-U system	Armatury	TKD DN 10÷50	3/4"	20	16	65	144,8	100	19	106,8	550
TKDGV100E	PVC-U system	Armatury	TKD DN 10÷50	1"	25	16	73	160	110	22	116	790
TKDGV114E	PVC-U system	Armatury	TKD DN 10÷50	1" 1/4	32	16	86	188,6	131	25	138,6	1275
TKDGV112E	PVC-U system	Armatury	TKD DN 10÷50	1" 1/2	40	16	98	219,4	148	26	167,4	1660
TKDGV200E	PVC-U system	Armatury	TKD DN 10÷50	2"	50	16	122	266,6	179	31	204,6	2800

## FKM

Objednací číslo	Materiál	Kategorie	Série	product.detail.attribute.R	DN	PN	E	H	H (5:1)	L	Z	g
TKDGV112F	PVC-U system	Armatury	TKD DN 10÷50	1" 1/2	40	16	98	219,4	148	26	167,4	1660
TKDGV200F	PVC-U system	Armatury	TKD DN 10÷50	2"	50	16	122	266,6	179	31	204,6	2800
TKDGV012F	PVC-U system	Armatury	TKD DN 10÷50	1/2"	15	16	54	118	80	16	86	310
TKDGV034F	PVC-U system	Armatury	TKD DN 10÷50	3/4"	20	16	65	144,8	100	19	106,8	550
TKDGV100F	PVC-U system	Armatury	TKD DN 10÷50	1"	25	16	73	160	110	22	116	790
TKDGV114F	PVC-U system	Armatury	TKD DN 10÷50	1" 1/4	32	16	86	188,6	131	25	138,6	1275

# TKDGV – DUAL BLOCK® 3-way ball valve

- Ergonomic HIPVC handle equipped with removable tool to adjust the ball seat carrier. Possibility of installing the **LTKD stroke limiter** (available as an accessory) that permits ball and handle rotation only for set opening and closing angles at 90° or 180°
- **Handle lock 0°– 90° SHKD** (available as an accessory) ergonomically operable during service and padlockable
- **DUAL BLOCK®** patented lock system that ensures union nut tightening hold even in severe conditions such as vibrations or heat dilation
- **Ball shutter** high surface finish with floating type full passage with **T or L port**
- **4 PTFE ball seat system** that compensates axial force guaranteeing optimal manageability and long working life
  
- Connection system for solvent weld, threaded and flanged joints
- Patented **SEAT STOP®** ball carrier system that lets you micro-adjust ball seats and minimise axial force effects
- Easy radial dismounting allowing quick replacement of O-rings and ball seats without any need for tools
- **PN16 True Union valve body** made for rigid PVC-U injection moulding equipped with built-in bores for actuation. ISO 9393 compliant test requisites
- Option of dismounting downstream pipes with the valve in the closed position
- High surface finish stem with double O-Ring and double connection key to the ball, equipped with **visual ball position indicator** for correct handle installation
- **Integrated bracket** for valve anchoring
- Possibility of installing pneumatic and/or electric actuators thanks to the robust anchor tower for easy and quick automation using the **Power Quick module** (optional)
- Possibility to have handle with integrated LSQT limit micro switch, even as a retrofit in existing installations