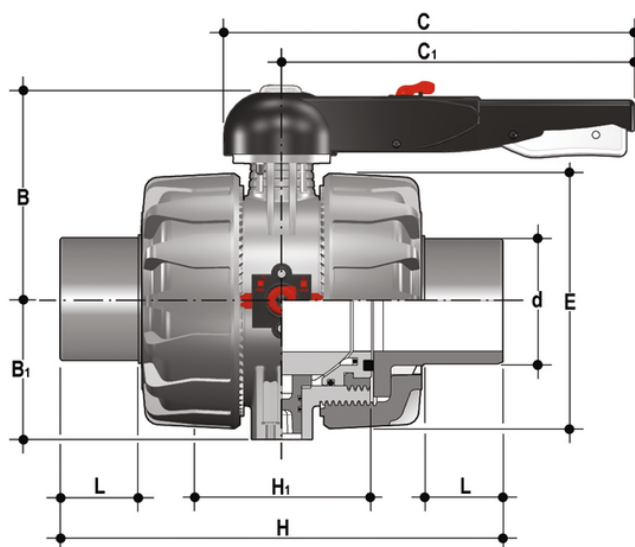


VKDDV - DUAL BLOCK® 2-way ball valve

DUAL BLOCK® 2-way ball valve with male ends for solvent welding, metric series



EPDM

| Objednací číslo | Materiál | Kategorie | Série | d | DN | PN | B | B (5:1) | C | C (5:1) | E | H | H (5:1) | L | g |
|-----------------|--------------|-----------|---------------|-----|-----|----|-----|---------|-----|---------|-----|-----|---------|----|-------|
| VKDDV075E | PVC-U system | Armatury | VKD DN 65÷100 | 75 | 65 | 16 | 164 | 87 | 225 | 175 | 164 | 284 | 133 | 44 | 4420 |
| VKDDV090E | PVC-U system | Armatury | VKD DN 65÷100 | 90 | 80 | 16 | 177 | 105 | 327 | 272 | 203 | 300 | 149 | 51 | 6930 |
| VKDDV110E | PVC-U system | Armatury | VKD DN 65÷100 | 110 | 100 | 16 | 195 | 129 | 385 | 330 | 238 | 340 | 167 | 61 | 10950 |

FKM

| Objednací číslo | Materiál | Kategorie | Série | d | DN | PN | B | B (5:1) | C | C (5:1) | E | H | H (5:1) | L | g |
|-----------------|--------------|-----------|---------------|-----|-----|----|-----|---------|-----|---------|-----|-----|---------|----|-------|
| VKDDV075F | PVC-U system | Armatury | VKD DN 65÷100 | 75 | 65 | 16 | 164 | 87 | 225 | 175 | 164 | 284 | 133 | 44 | 4420 |
| VKDDV090F | PVC-U system | Armatury | VKD DN 65÷100 | 90 | 80 | 16 | 177 | 105 | 327 | 272 | 203 | 300 | 149 | 51 | 6930 |
| VKDDV110F | PVC-U system | Armatury | VKD DN 65÷100 | 110 | 100 | 16 | 195 | 129 | 385 | 330 | 238 | 340 | 167 | 61 | 10950 |

VKDDV - DUAL BLOCK® 2-way ball valve

- HIPVC ergonomic multifunctional handle for quick operation, **lock and graduated adjustment in 10 positions**. Possibility of inhibiting rotation with a lock
- Customisable Labelling System: LCE module made of a transparent protection plug and **customisable tag holder** using the LSE set (available as accessory). The customisation lets you identify the valve on the system according to specific needs
- **DUAL BLOCK®** patented lock system that ensures union nut tightening hold even in severe conditions such as vibrations or heat dilation
- **Double stem** with double O-Rings for ball centring and operating torque reduction
- Machined high surface finish ball that guarantees a smooth operation and increased reliability

- Connection system for solvent weld, threaded and flanged joints
- Patented **SEAT STOP®** ball carrier system that lets you micro-adjust seals and minimise axial force effects
- Easy radial dismounting allowing quick replacement of O-rings and ball seats without any need for tools
- **PN16 True Union valve body** made for rigid PVC-U injection moulding equipped with built-in bores for actuation. ISO 9393 compliant test requisites
- Option of dismounting downstream pipes with the valve in the closed position
- **Full bore ball** with high surface finish
- **Integrated bracket** for valve anchoring
- Possibility of installing a manual reducer or pneumatic and/or electric actuators by applying an ISO standard bore PP-GR flange
- **STAINLESS steel co-moulded stem**, with square section as per ISO 5211
- Possibility to have handle with integrated LSQT limit micro switch, even as a retrofit in existing installations