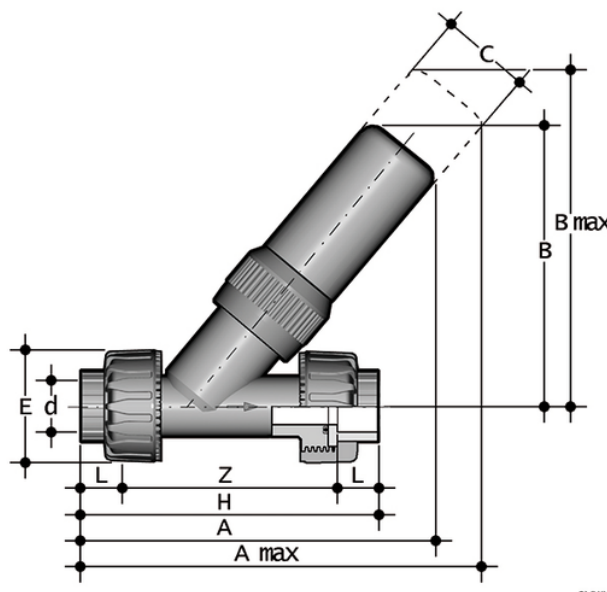


SVUIV - RELIEF VALVE

Relief valve with unionised metric plain socket ends for solvent welding



EPDM

Objednací číslo	Materiál	Kategorie	Série	d	DN	product.detail.attribute.A	product.detail.attribute.A max	B	product.detail.attribute.B max	C	E	H	L
SVUIV020E	PVC-U system	Armatury	SV DN 15÷25	20	15	153	193	118	170	34	55	135	160
SVUIV025E	PVC-U system	Armatury	SV DN 15÷25	25	20	191	271	150	220	40	66	158	190
SVUIV032E	PVC-U system	Armatury	SV DN 15÷25	32	25	226	296	175	230	48	75	176	210

FKM

Objednací číslo	Materiál	Kategorie	Série	d	DN	product.detail.attribute.A	product.detail.attribute.A max	B	product.detail.attribute.B max	C	E	H	L
SVUIV020F	PVC-U system	Armatury	SV DN 15÷25	20	15	153	193	118	170	34	55	135	160
SVUIV025F	PVC-U system	Armatury	SV DN 15÷25	25	20	191	271	150	220	40	66	158	190
SVUIV032F	PVC-U system	Armatury	SV DN 15÷25	32	25	226	296	175	230	48	75	176	210

SVUIV – RELIEF VALVE

- Ergonomic HIPVC handle equipped with **removable tool to adjust the ball seat carrier**.
- **Handle lock 0°– 90°** SHKD (available as an accessory) ergonomically operable during service and padlockable
- Robust **integrated bracket for valve anchoring**, for easy and quick automation even after valve installation on the system via the Power Quick module (optional)
- **DUAL BLOCK®** patented lock system that ensures union nut tightening hold even in severe conditions such as vibrations or heat dilation
- Machined high surface finish ball that guarantees a smooth operation and increased reliability

- Connection system for solvent weld, threaded and flanged joints
- Patented **SEAT STOP®** ball carrier system that lets you micro-adjust ball seats and minimise the axial force effect
- Easy radial dismounting allowing quick replacement of O-rings and ball seats without any need for tools
- **PN16 True Union valve body** made for rigid PVC-U injection moulding equipped with built-in bores for actuation. ISO 9393 compliant test requisites
- Option of dismounting downstream pipes with the valve in the closed position
- Floating **full bore ball** with high surface finish
- **Integrated bracket** for valve anchoring
- Ball seat carriers can be adjusted using the **Easytorque adjustment kit**
- Possibility to have handle with integrated LSQT limit micro switch, even as a retrofit in existing installations