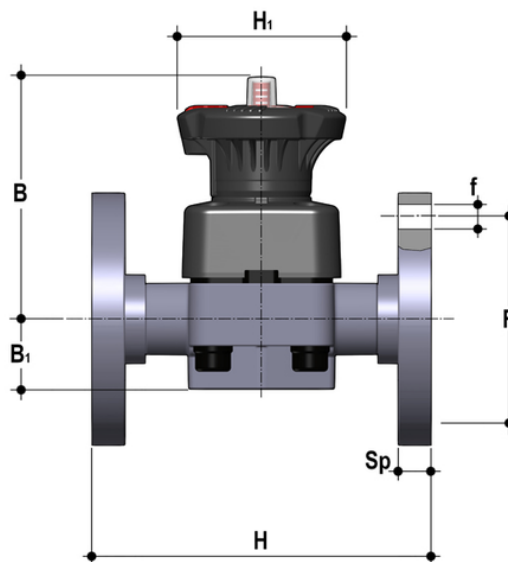


# DKOF - DIALOCK® 2-way diaphragm valve

DIALOCK® diaphragm valve with flanged monolithic body, drilled PN10/16. Face to face according to EN 558-1



## EPDM

| Objednací číslo | Materiál    | Kategorie | Série       | d  | DN | PN | B   | B (5:1) | product.detail.attribute.F | product.detail.attribute.f | H   | H (5:1) | product.detail.attribute |
|-----------------|-------------|-----------|-------------|----|----|----|-----|---------|----------------------------|----------------------------|-----|---------|--------------------------|
| DKOF020E        | PVDF system | Armatury  | DK DN 15÷65 | 20 | 15 | 10 | 102 | 25      | 65                         | 14                         | 130 | 80      | 4                        |
| DKOF025E        | PVDF system | Armatury  | DK DN 15÷65 | 25 | 20 | 10 | 105 | 30      | 75                         | 14                         | 150 | 80      | 4                        |
| DKOF032E        | PVDF system | Armatury  | DK DN 15÷65 | 32 | 25 | 10 | 114 | 33      | 85                         | 14                         | 160 | 80      | 4                        |
| DKOF040E        | PVDF system | Armatury  | DK DN 15÷65 | 40 | 32 | 10 | 119 | 30      | 100                        | 18                         | 180 | 80      | 4                        |
| DKOF050E        | PVDF system | Armatury  | DK DN 15÷65 | 50 | 40 | 10 | 149 | 35      | 110                        | 18                         | 200 | 120     | 4                        |
| DKOF063E        | PVDF system | Armatury  | DK DN 15÷65 | 63 | 50 | 10 | 172 | 46      | 125                        | 18                         | 230 | 120     | 4                        |
| DKOF075E        | PVDF system | Armatury  | DK DN 15÷65 | 75 | 65 | 10 | 172 | 46      | 145                        | 18                         | 290 | 120     | 4                        |

# DKOF - DIALOCK® 2-way diaphragm valve

## FKM

| Objednáací číslo | Materiál    | Kategorie | Série       | d  | DN | PN | B   | B (5:1) | product.detail.attribute.F | product.detail.attribute.f | H   | H (5:1) | product.detail.attribu |
|------------------|-------------|-----------|-------------|----|----|----|-----|---------|----------------------------|----------------------------|-----|---------|------------------------|
| DKOF020F         | PVDF system | Armatury  | DK DN 15÷65 | 20 | 15 | 10 | 102 | 25      | 65                         | 14                         | 130 | 80      | 4                      |
| DKOF025F         | PVDF system | Armatury  | DK DN 15÷65 | 25 | 20 | 10 | 105 | 30      | 75                         | 14                         | 150 | 80      | 4                      |
| DKOF032F         | PVDF system | Armatury  | DK DN 15÷65 | 32 | 25 | 10 | 114 | 33      | 85                         | 14                         | 160 | 80      | 4                      |
| DKOF040F         | PVDF system | Armatury  | DK DN 15÷65 | 40 | 32 | 10 | 119 | 30      | 100                        | 18                         | 180 | 80      | 4                      |
| DKOF050F         | PVDF system | Armatury  | DK DN 15÷65 | 50 | 40 | 10 | 149 | 35      | 110                        | 18                         | 200 | 120     | 4                      |
| DKOF063F         | PVDF system | Armatury  | DK DN 15÷65 | 63 | 50 | 10 | 172 | 46      | 125                        | 18                         | 230 | 120     | 4                      |
| DKOF075F         | PVDF system | Armatury  | DK DN 15÷65 | 75 | 65 | 10 | 172 | 46      | 145                        | 18                         | 290 | 120     | 4                      |

## PTFE

| Objednáací číslo | Materiál    | Kategorie | Série       | d  | DN | PN | B   | B (5:1) | product.detail.attribute.F | product.detail.attribute.f | H   | H (5:1) | product.detail.attribu |
|------------------|-------------|-----------|-------------|----|----|----|-----|---------|----------------------------|----------------------------|-----|---------|------------------------|
| DKOF020P         | PVDF system | Armatury  | DK DN 15÷65 | 20 | 15 | 10 | 102 | 25      | 65                         | 14                         | 130 | 80      | 4                      |
| DKOF025P         | PVDF system | Armatury  | DK DN 15÷65 | 25 | 20 | 10 | 105 | 30      | 75                         | 14                         | 150 | 80      | 4                      |
| DKOF032P         | PVDF system | Armatury  | DK DN 15÷65 | 32 | 25 | 10 | 114 | 33      | 85                         | 14                         | 160 | 80      | 4                      |
| DKOF040P         | PVDF system | Armatury  | DK DN 15÷65 | 40 | 32 | 10 | 119 | 30      | 100                        | 18                         | 180 | 80      | 4                      |
| DKOF050P         | PVDF system | Armatury  | DK DN 15÷65 | 50 | 40 | 10 | 149 | 35      | 110                        | 18                         | 200 | 120     | 4                      |
| DKOF063P         | PVDF system | Armatury  | DK DN 15÷65 | 63 | 50 | 10 | 172 | 46      | 125                        | 18                         | 230 | 120     | 4                      |

# DKOF - DIALOCK® 2-way diaphragm valve

| Objednáací číslo | Materiál    | Kategorie | Série             | d  | DN | PN | B   | B (5:1) | product.detail.attribute.F | product.detail.attribute.f | H   | H (5:1) | product.detail.attribu |
|------------------|-------------|-----------|-------------------|----|----|----|-----|---------|----------------------------|----------------------------|-----|---------|------------------------|
| DKOF075P         | PVDF system | Armatury  | DK<br>DN<br>15÷65 | 75 | 65 | 10 | 172 | 46      | 145                        | 18                         | 290 | 120     | 4                      |

# DKOF – DIALOCK® 2-way diaphragm valve

- **High visibility graduated optical position indicator** protected by a transparent cap with seal O-Ring
- **Customisation plate:** the customisation lets you identify the valve on the system according to specific needs
- **DIALOCK® SYSTEM:** innovative handwheel with a patented immediate and ergonomic operating locking device that allows it **to be adjusted and locked in over 300 positions**
- **Handwheel and bonnet in** high mechanical strength and chemically resistant **PP-GR**, providing full protection by isolating all internal metal parts from contact with external agents
- **Floating pin connection** between the control screw and diaphragm to prevent concentrated loads, improve the seal and extend its lifetime
- **New design of valve body interior: substantially increased flow coefficient** and reduced pressure drop. The degree of efficiency reached has also **enabled the size and weight of the valve to be reduced**
- **Adjustment linearity:** the internal profiles of the valve also greatly improve its characteristic curve, resulting in **extremely sensitive and precise adjustment** along the entire stroke of the shutter
- **Valve anchoring** bracket **integrated in the body**, with threaded metal inserts allowing **simple panel or wall mounting** using the PMDK mounting plate (supplied as an accessory)
  
- Connection system for solvent weld, threaded and flanged joints
- **Optimised fluid dynamic design:** maximum output flow rate thanks to the optimised efficiency of the fluid dynamics that characterise the new internal geometry of the body
- **Internal components in metal, totally isolated from the fluid** and external environment
- **Modularity of the range:** only 2 handwheel and 4 diaphragm and bonnet sizes for 7 different valve sizes
- Non-rising handwheel that stays at the same height during rotation, equipped with a graduated optical indicator protected by a transparent PVC cap with seal O-Ring
- Bonnet fastening screws in stainless steel protected against the external environment by PE plugs. Absence of metal parts exposed to the external environment to prevent any risk of corrosion.
- **CDSA** (Circular Diaphragm Sealing Angle) system that, thanks to the uniform distribution of shutter pressure on the diaphragm seal, offers the following advantages:
  - reduction in the tightening torque of the screws fixing the actuator to the valve body
  - reduced mechanical stress on all valve components (actuator, body and diaphragm)
  - easy to clean valve interior
  - low risk of the accumulation of deposits, contamination or damage to the diaphragm due to crystallisation
  - operating torque reduction