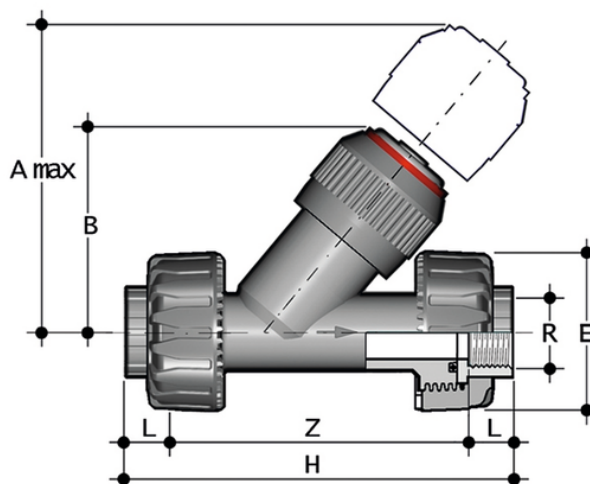


VRUIM - Check valve

Check valve with female union ends for socket welding, metric series



EPDM

Objednací číslo	Materiál	Kategorie	Série	d	DN	PN	product.detail.attribute.A max	B	E	H	Z	g
VRUIM020E	PP-H system	Armatury	VR DN 10÷100	20	15	10	125	71	55	138	109	165
VRUIM025E	PP-H system	Armatury	VR DN 10÷100	25	20	10	145	83	66	157	125	227
VRUIM032E	PP-H system	Armatury	VR DN 10÷100	32	25	10	165	94	74	179	143	380
VRUIM040E	PP-H system	Armatury	VR DN 10÷100	40	32	10	190	109	86	205	164	645
VRUIM050E	PP-H system	Armatury	VR DN 10÷100	50	40	10	210	119	99	244	197	915
VRUIM063E	PP-H system	Armatury	VR DN 10÷100	63	50	10	240	143	120	294	239	1555

FKM

Objednací číslo	Materiál	Kategorie	Série	d	DN	PN	product.detail.attribute.A max	B	E	H	Z	g
VRUIM020F	PP-H system	Armatury	VR DN 10÷100	20	15	10	125	71	55	138	109	165
VRUIM025F	PP-H system	Armatury	VR DN 10÷100	25	20	10	145	83	66	157	125	227
VRUIM032F	PP-H system	Armatury	VR DN 10÷100	32	25	10	165	94	74	179	143	380
VRUIM040F	PP-H system	Armatury	VR DN 10÷100	40	32	10	190	109	86	205	164	645
VRUIM050F	PP-H system	Armatury	VR DN 10÷100	50	40	10	210	119	99	244	197	915
VRUIM063F	PP-H system	Armatury	VR DN 10÷100	63	50	10	240	143	120	294	239	1555

VRUIM – Check valve

- Connection system for weld, threaded and flanged joints
- **No metal parts in contact with the fluid**
- **Piston with counterweight** able to work with high intensity fluid
- Limited pressure drop. Only minimum back pressure is required for the hermetic seal
- **Valve material compatibility** (PP-H) with water conveyance, drinking water and other food substances according to **current regulations**
- Can be maintained with the valve body installed