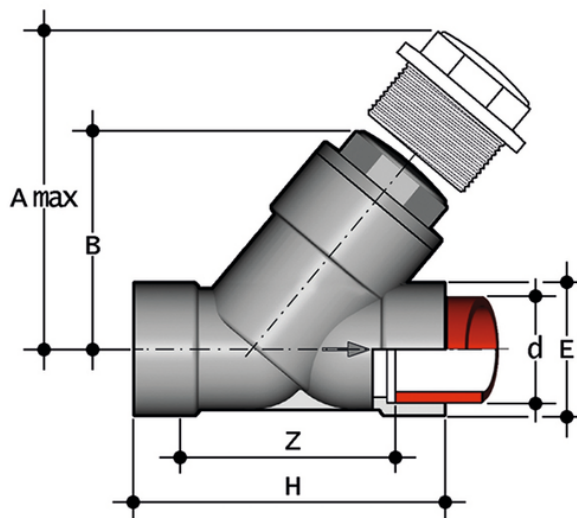


# VRIM - Check valve

Check valve with female ends for socket welding, metric series



## EPDM

Objednací číslo	Materiál	Kategorie	Série	d	DN	PN	product.detail.attribute.A max	B	E	H	product.detail.attribute.K	Z	g
VRIM075E	PP-H system	Armatury	VR DN 10÷100	75	65	6	300	176	103	241	96	179	2450
VRIM090E	PP-H system	Armatury	VR DN 10÷100	90	80	4	325	192	115	260	105	189	3130

## FKM

Objednací číslo	Materiál	Kategorie	Série	d	DN	PN	product.detail.attribute.A max	B	E	H	product.detail.attribute.K	Z	g
VRIM075F	PP-H system	Armatury	VR DN 10÷100	75	65	6	300	176	103	241	96	179	2450
VRIM090F	PP-H system	Armatury	VR DN 10÷100	90	80	4	325	192	115	260	105	189	3130

## VRIM – Check valve

- Connection system for weld, threaded and flanged joints
- **No metal parts in contact with the fluid**
- **Piston with counterweight** able to work with high intensity fluid
- Limited pressure drop. Only minimum back pressure is required for the hermetic seal
- **Valve material compatibility** (PP-H) with water conveyance, drinking water and other food substances according to **current regulations**
- Can be maintained with the valve body installed