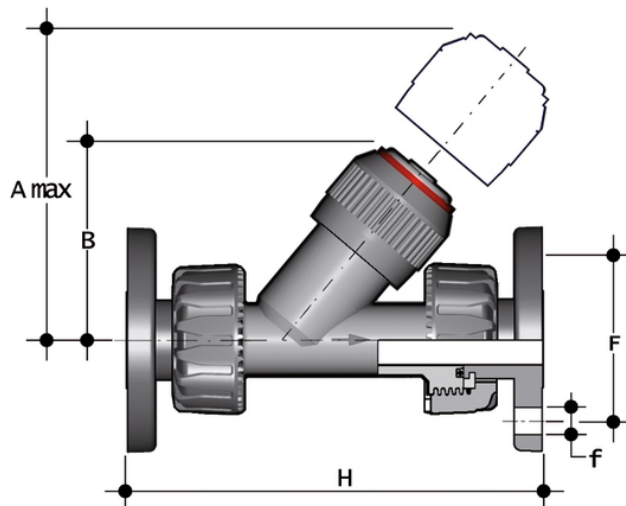


VRUOM - Check valve

Check valve with union ends and fixed flanges, drilled EN/ISO/DIN PN10/16



EPDM

Objednací číslo	Materiál	Kategorie	Série	d	DN	PN	product.detail.attribute.A max	B	product.detail.attribute.F	product.detail.attribute.f	H	g
VRUOM020E	PP-H system	Armatury	VR DN 10÷100	20	15	10	125	72	65	14	163	26
VRUOM025E	PP-H system	Armatury	VR DN 10÷100	25	20	10	145	84	75	14	193	32
VRUOM032E	PP-H system	Armatury	VR DN 10÷100	32	25	10	165	95	85	14	211	48
VRUOM040E	PP-H system	Armatury	VR DN 10÷100	40	32	10	190	111	100	18	244	79
VRUOM050E	PP-H system	Armatury	VR DN 10÷100	50	40	10	210	120	110	18	277	100
VRUOM063E	PP-H system	Armatury	VR DN 10÷100	63	50	10	240	139	125	18	331	170

FKM

Objednací číslo	Materiál	Kategorie	Série	d	DN	PN	product.detail.attribute.A max	B	product.detail.attribute.F	product.detail.attribute.f	H	g
VRUOM020F	PP-H system	Armatury	VR DN 10÷100	20	15	10	125	72	65	14	163	26
VRUOM025F	PP-H system	Armatury	VR DN 10÷100	25	20	10	145	84	75	14	193	32

VRUOM - Check valve

Objednací číslo	Materiál	Kategorie	Série	d	DN	PN	product.detail.attribute.A max	B	product.detail.attribute.F	product.detail.attribute.f	H	g
VRUOM032F	PP-H system	Armatury	VR DN 10÷100	32	25	10	165	95	85	14	211	48
VRUOM040F	PP-H system	Armatury	VR DN 10÷100	40	32	10	190	111	100	18	244	79
VRUOM050F	PP-H system	Armatury	VR DN 10÷100	50	40	10	210	120	110	18	277	10
VRUOM063F	PP-H system	Armatury	VR DN 10÷100	63	50	10	240	139	125	18	331	17



VRUOM – Check valve

- Connection system for weld, threaded and flanged joints
- **No metal parts in contact with the fluid**
- **Piston with counterweight** able to work with high intensity fluid
- Limited pressure drop. Only minimum back pressure is required for the hermetic seal
- **Valve material compatibility** (PP-H) with water conveyance, drinking water and other food substances according to **current regulations**
- Can be maintained with the valve body installed