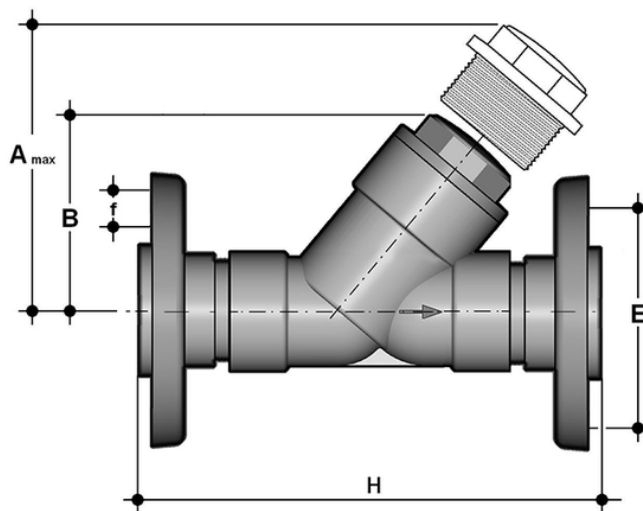


VROM - Check valve

Check valve with steel core backing ring, PP/FRP coated, drilled EN/ISO/DIN PN10/16



EPDM

Objednací číslo	Materiál	Kategorie	Série	d	DN	PN	product.detail.attribute.A_max	B	product.detail.attribute.F	product.detail.attribute.f	H	g
VROM075E	PP-H system	Armatury	VR DN 10÷100	75	65	6	300	179	145	18	356	599
VROM090E	PP-H system	Armatury	VR DN 10÷100	90	80	4	325	192	160	18	404	723

FKM

Objednací číslo	Materiál	Kategorie	Série	d	DN	PN	product.detail.attribute.A_max	B	product.detail.attribute.F	product.detail.attribute.f	H	g
VROM075F	PP-H system	Armatury	VR DN 10÷100	75	65	6	300	179	145	18	356	599
VROM090F	PP-H system	Armatury	VR DN 10÷100	90	80	4	325	192	160	18	404	723



VROM - Check valve

- Connection system for weld, threaded and flanged joints
- **No metal parts in contact with the fluid**
- **Piston with counterweight** able to work with high intensity fluid
- Limited pressure drop. Only minimum back pressure is required for the hermetic seal
- **Valve material compatibility** (PP-H) with water conveyance, drinking water and other food substances according to **current regulations**
- Can be maintained with the valve body installed