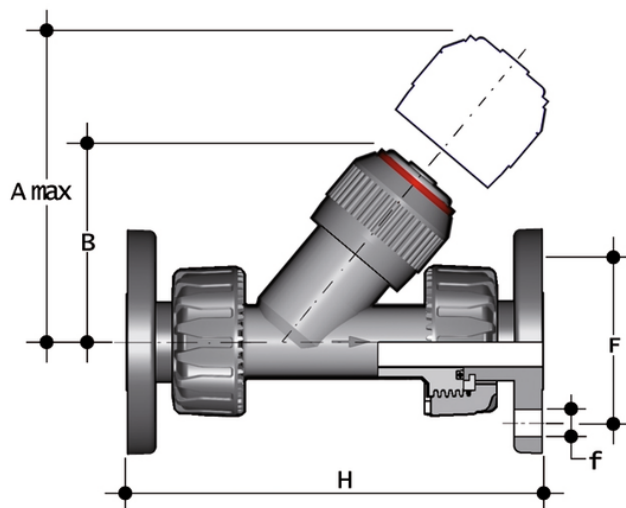


VRUOAM - Check valve

Check valve with union ends and fixed flanges, drilled ANSI B16.5 cl.150 #FF



EPDM

Objednací číslo	Materiál	Kategorie	Série	product.detail.attribute.Size	DN	PN	product.detail.attribute.A max	B	product.detail.attribute.F	product
VRUOAM012E	PP-H system	Armatury	VR DN 10÷100	1/2"	15	10	125	72	60	16
VRUOAM034E	PP-H system	Armatury	VR DN 10÷100	3/4"	20	10	145	84	70	16
VRUOAM100E	PP-H system	Armatury	VR DN 10÷100	1"	25	10	165	95	79	16
VRUOAM114E	PP-H system	Armatury	VR DN 10÷100	1 1/4"	32	10	190	111	89	16
VRUOAM112E	PP-H system	Armatury	VR DN 10÷100	1 1/2"	40	10	210	120	98	16
VRUOAM200E	PP-H system	Armatury	VR DN 10÷100	2"	50	10	240	139	121	19

FKM

Objednací číslo	Materiál	Kategorie	Série	product.detail.attribute.Size	DN	PN	product.detail.attribute.A max	B	product.detail.attribute.F	product
VRUOAM012F	PP-H system	Armatury	VR DN 10÷100	1/2"	15	10	125	72	60	16
VRUOAM034F	PP-H system	Armatury	VR DN 10÷100	3/4"	20	10	145	84	70	16

VRUOAM - Check valve

Objednací číslo	Materiál	Kategorie	Série	product.detail.attribute.Size	DN	PN	product.detail.attribute.A max	B	product.detail.attribute.F	product
VRUOAM100F	PP-H system	Armatury	VR DN 10÷100	1"	25	10	165	95	79	16
VRUOAM114F	PP-H system	Armatury	VR DN 10÷100	1 1/4"	32	10	190	111	89	16
VRUOAM112F	PP-H system	Armatury	VR DN 10÷100	1 1/2"	40	10	210	120	98	16
VRUOAM200F	PP-H system	Armatury	VR DN 10÷100	2"	50	10	240	139	121	19



VRUOAM – Check valve

- Connection system for weld, threaded and flanged joints
- **No metal parts in contact with the fluid**
- **Piston with counterweight** able to work with high intensity fluid
- Limited pressure drop. Only minimum back pressure is required for the hermetic seal
- **Valve material compatibility** (PP-H) with water conveyance, drinking water and other food substances according to **current regulations**
- Can be maintained with the valve body installed