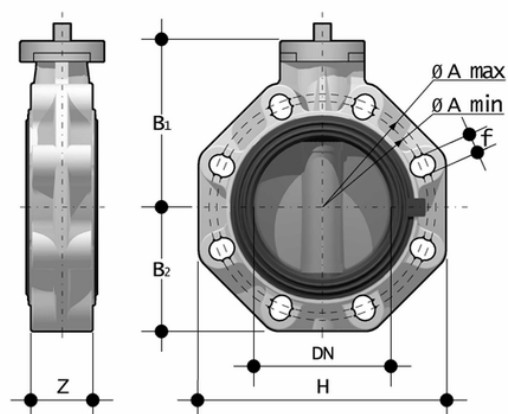


FKOM/FM - Butterfly valve

Butterfly valve with bare shaft



EPDM

Objednací číslo	Materiál	Kategorie	Série	product.detail.attribute.d - Size	DN	PN	product.detail.attribute.A min	product.detail.attribute.A max	product.d
FKOMFM050E	PP-H system	Armatury	FK DN 40÷400	50 - 1"1/2	40	10	99	109	-
FKOAMFM814E	PP-H system	Armatury	FK DN 40÷400	14"	***350	7	-	-	476
FKOAMFM812E	PP-H system	Armatury	FK DN 40÷400	12"	***300	8	-	-	432
FKOAMFM810E	PP-H system	Armatury	FK DN 40÷400	10"	***250	10	-	-	362
FKOMFM400E	PP-H system	Armatury	FK DN 40÷400	400*	**400	6	-	-	515
FKOMFM355E	PP-H system	Armatury	FK DN 40÷400	355*	**350	7	-	-	460
FKOMFM315E	PP-H system	Armatury	FK DN 40÷400	315*	**300	8	-	-	400
FKOMFM280E	PP-H system	Armatury	FK DN 40÷400	250*/280*	**250	10	-	-	350
FKOMFM225E	PP-H system	Armatury	FK DN 40÷400	200*/225* - 8"	200	10	280	298	-
FKOMFM160E	PP-H system	Armatury	FK DN 40÷400	160*/180 - 6"	150	10	230	242	-

FKOM/FM – Butterfly valve

Objednací číslo	Materiál	Kategorie	Série	product.detail.attribute.d - Size	DN	PN	product.detail.attribute.A min	product.detail.attribute.A max	product.d
FKOMFM140E	PP-H system	Armatury	FK DN 40÷400	125/140 – 5"	125	10	204	215	-
FKOMFM110E	PP-H system	Armatury	FK DN 40÷400	110 – 4"	100	10	165	190	-
FKOMFM090E	PP-H system	Armatury	FK DN 40÷400	90 – 3"	80	10	145	160	-
FKOMFM075E	PP-H system	Armatury	FK DN 40÷400	75 – 2"1/2	65	10	128	144	-
FKOMFM063E	PP-H system	Armatury	FK DN 40÷400	63 – 2"	50	10	115	126	-
FKOAMFM816E	PP-H system	Armatury	FK DN 40÷400	16"	***400	6	-	-	540

FKM

Objednací číslo	Materiál	Kategorie	Série	product.detail.attribute.d - Size	DN	PN	product.detail.attribute.A min	product.detail.attribute.A max	product.d
FKOMFM050F	PP-H system	Armatury	FK DN 40÷400	50 – 1"1/2	40	10	99	109	-
FKOAMFM814F	PP-H system	Armatury	FK DN 40÷400	14"	***350	7	-	-	476
FKOAMFM812F	PP-H system	Armatury	FK DN 40÷400	12"	***300	8	-	-	432
FKOAMFM810F	PP-H system	Armatury	FK DN 40÷400	10"	***250	10	-	-	362
FKOMFM400F	PP-H system	Armatury	FK DN 40÷400	400*	**400	6	-	-	515
FKOMFM355F	PP-H system	Armatury	FK DN 40÷400	355*	**350	7	-	-	460
FKOMFM315F	PP-H system	Armatury	FK DN 40÷400	315*	**300	8	-	-	400
FKOMFM280F	PP-H system	Armatury	FK DN 40÷400	250*/280*	**250	10	-	-	350
FKOMFM225F	PP-H system	Armatury	FK DN 40÷400	200*/225* – 8"	200	10	280	298	-
FKOMFM160F	PP-H system	Armatury	FK DN 40÷400	160*/180 – 6"	150	10	230	242	-
FKOMFM140F	PP-H system	Armatury	FK DN 40÷400	125/140 – 5"	125	10	204	215	-
FKOMFM110F	PP-H system	Armatury	FK DN 40÷400	110 – 4"	100	10	165	190	-
FKOMFM090F	PP-H system	Armatury	FK DN 40÷400	90 – 3"	80	10	145	160	-

FKOM/FM – Butterfly valve

Objednací číslo	Materiál	Kategorie	Série	product.detail.attribute.d - Size	DN	PN	product.detail.attribute.A min	product.detail.attribute.A max	product.d
FKOMFM075F	PP-H system	Armatury	FK DN 40÷400	75 - 2"1/2	65	10	128	144	-
FKOMFM063F	PP-H system	Armatury	FK DN 40÷400	63 - 2"	50	10	115	126	-
FKOAMFM816F	PP-H system	Armatury	FK DN 40÷400	16"	***400	6	-	-	540

FKM

Objednací číslo	Materiál	Kategorie	Série	product.detail.attribute.d - Size	DN	PN	product.detail.attribute.A min	product.detail.attribute.A max	product.d
FKOMFM050F0SF	PP-H system	Armatury	FK DN 40÷400	50 - 1"1/2	40	10	99	109	-
FKOMFM063F0SF	PP-H system	Armatury	FK DN 40÷400	63 - 2"	50	10	115	126	-
FKOMFM075F0SF	PP-H system	Armatury	FK DN 40÷400	75 - 2"1/2	65	10	128	144	-
FKOMFM090F0SF	PP-H system	Armatury	FK DN 40÷400	90 - 3"	80	10	145	160	-
FKOMFM110F0SF	PP-H system	Armatury	FK DN 40÷400	110 - 4"	100	10	165	190	-
FKOMFM140F0SF	PP-H system	Armatury	FK DN 40÷400	125/140 - 5"	125	10	204	215	-
FKOMFM160F0SF	PP-H system	Armatury	FK DN 40÷400	160*/180 - 6"	150	10	230	242	-

FKOM/FM – Butterfly valve

- **Ergonomic handle** in HIPVC equipped with **locking and unlocking device, release, quick operation and graduated adjustment** in 10 intermediate positions (DN 40÷200). The operating range, starting from the first few degrees of valve opening, also guarantees extremely low pressure drops.
- **Customisable Labelling System**: integrated module in the handle, made of a transparent protection plug and a customisable tag holder using the LSE set (available as an accessory). The **customisation** lets you **identify the valve on the system** according to specific needs.
- **STAINLESS steel square section stem** completely isolated from the fluid complying with standard ISO 5211: DN 40÷65: 11 mm DN 80÷100: 14 mm DN 125÷150: 17 mm DN 200: 22 mm DN 250÷400: 27 mm
- **Body** in polypropylene based **compound reinforced with fibreglass (PP-GR) resistant to UV rays** and characterised by **high mechanical strength**.
- **Drilling pattern using oval slots** that allow coupling to flanges according to numerous international standards. The special **self-centring inserts in ABS** supplied for DN 40÷200 guarantee the **correct axial alignment** of the valve during installation. For DN 250÷400 valves, the drilling pattern for the selfcentring system is of the traditional type according to DIN and ANSI standards.
- **Interchangeable liner** with the dual function of forming a hydraulic seal and isolating the body from the fluid.
- Interchangeable Disk in PP-H with through shaft, available in different thermoplastic materials: PVC-U, PVC-C, ABS, PVDF Overall dimensions of the valve in accordance with standard ISO 5752 (DN 40÷200 Medium series 25, DN 250÷ 300 Long Series 16) and DIN 3202 K2 and ISO 5752 (DN DN 65÷200 K2, DN 250÷300 K3) Can also be installed as an end line valve, bottom discharge valve or tank dump valve **Special Lug version PN 10** fully drilled according to DIN 2501 or ANSI B16.5 cl.150 **with molded-in AISI 316 stainless steel threaded inserts** **Valve material compatibility (PP-H)** with water conveyance, drinking water and other food substances according to current **regulations** Possibility of installing a manual reducer or pneumatic and/or electric actuators by applying an ISO standard drilling PP-GR flanges. DN 40 ÷ 200 valve equipped with plate with rack in PP-GR. For actuated versions with flange drilled according to ISO 5211 F05, F07, F10. DN 250÷300 valve, fitted with one-piece top flange in high mechanical strength PP-GR with mounting flange for internal components drilled according to standard ISO 5211 F10 (excluding DN 350÷400), F12, F14. Possibility to have handle with integrated LSQT limit micro switch, even as a retrofit in existing installations