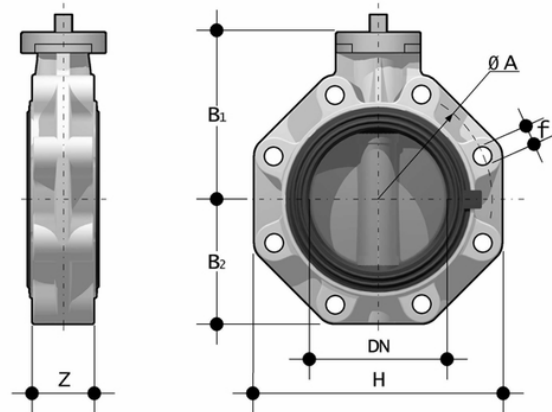


# FKOF/FM LUG ANSI – Butterfly valve

Butterfly valve with bare shaft, version Lug ANSI



Objednací číslo	Materiál	Kategorie	Série	d	DN	PN	product.detail.attribute.øA	B (5:1)	product.detail.attribute.B[5:2]	product.detail.attribute.F
FKOALFFM212F	PVDF system	Armatury	FK DN 40÷400	2" 1/2	65	10	139,7	119	80	5/8"
FKOALFFM300F	PVDF system	Armatury	FK DN 40÷400	3"	80	10	152,4	133	93	5/8"
FKOALFFM400F	PVDF system	Armatury	FK DN 40÷400	4"	100	10	190,5	147	107	5/8"
FKOALFFM500F	PVDF system	Armatury	FK DN 40÷400	5"	125	10	215,9	167	120	3/4"
FKOALFFM600F	PVDF system	Armatury	FK DN 40÷400	6"	150	10	241,3	180	134	3/4"
FKOALFFM800F	PVDF system	Armatury	FK DN 40÷400	8"	200	10	298,4	227	161	3/4"
FKOALFFM810F	PVDF system	Armatury	FK DN 40÷400	10"	250	6	362	248	210	7/8"
FKOALFFM812F	PVDF system	Armatury	FK DN 40÷400	12"	300	6	431,8	305	245	7/8"

# FKOF/FM LUG ANSI – Butterfly valve

- **Ergonomic handle** in HIPVC equipped with **locking and unlocking device, release, quick operation and graduated adjustment** in 10 intermediate positions (DN 40÷200). The operating range, starting from the first few degrees of valve opening, also guarantees extremely low pressure drops.
- **Customisable Labelling System**: integrated module in the handle, made of a transparent protection plug and a customisable tag holder using the LSE set (available as an accessory). The **customisation** lets you **identify the valve on the system** according to specific needs.
- **STAINLESS steel square section stem** completely isolated from the fluid complying with standard ISO 5211: DN 40÷65: 11 mm DN 80÷100: 14 mm DN 125÷150: 17 mm DN 200: 22 mm DN 250÷400: 27 mm
- **Body** in polypropylene based **compound reinforced with fibreglass (PP-GR)** **resistant to UV rays** and characterised by **high mechanical strength**.
- **Drilling pattern using oval slots** that allow coupling to flanges according to numerous international standards. The special **self-centring inserts in ABS** supplied for DN 40÷200 guarantee the **correct axial alignment** of the valve during installation. For DN 250÷400 valves, the drilling pattern for the selfcentring system is of the traditional type according to DIN and ANSI standards.
- **Interchangeable liner** with the dual function of forming a hydraulic seal and isolating the body from the fluid.
- Interchangeable Disk in PVDF with through shaft, available in different thermoplastic materials: PVC-U, PP-H, PVC-C, ABS Overall dimensions of the valve in accordance with standard ISO 5752 (DN 40÷200 Medium Series 25, DN 250÷ 300 Long Series 16) and DIN 3202 K2 and ISO 5752 (DN 65÷200 K2, DN 250÷300 K3) Can also be installed as an end line valve, bottom discharge valve or tank dump valve **Special Lug version** PN 10 fully drilled according to DIN 2501 or ANSI B16.5 cl.150 **with molded-in AISI 316 stainless steel threaded inserts** Possibility of installing a manual reducer or pneumatic and/or electric actuators by applying an ISO standard drilling PP-GR flanges. DN 40 ÷ 200 valve equipped with plate with rack in PP-GR. For actuated versions with flange drilled according to ISO 5211 F05, F07, F10. DN 250÷300 valve, fitted with one-piece top flange in high mechanical strength PP-GR with mounting flange for internal components drilled according to standard ISO 5211 F10 (excluding DN 350÷400), F12, F14. Possibility to have handle with integrated LSQT limit micro switch, even as a retrofit in existing installations