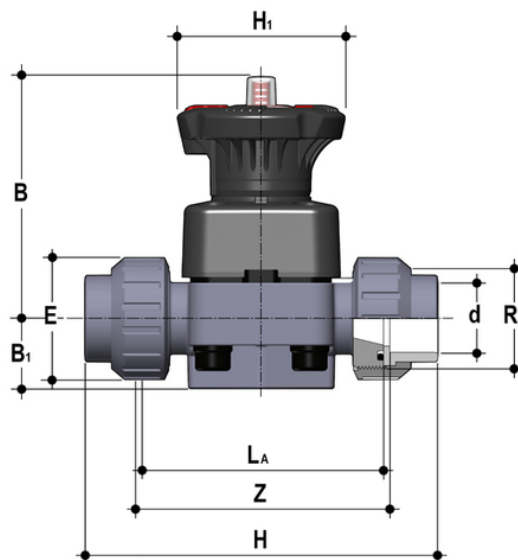


# DKUAC - DIALOCK® 2-WAY DIAPHRAGM VALVE

DIALOCK® diaphragm valve with female union ends for solvent welding, ASTM series



## EPDM

Objednací číslo	Materiál	Kategorie	Série	d	DN	PN	B	B (5:1)	E	H	H (5:1)	La	product.detail.attribute.R[5:1]	Z	g
DKUAC012E	PVC-C system	Armatury	DK DN 15÷65	1/2"	15	10	102	25	41	143	80	90	1"	98	509
DKUAC034E	PVC-C system	Armatury	DK DN 15÷65	3/4"	20	10	105	30	50	167	80	108	1";1/4	115	576
DKUAC100E	PVC-C system	Armatury	DK DN 15÷65	1"	25	10	114	33	58	180	80	116	1";1/2	122	812
DKUAC114E	PVC-C system	Armatury	DK DN 15÷65	1";1/4	32	10	119	30	72	208	80	134	2"	144	945
DKUAC112E	PVC-C system	Armatury	DK DN 15÷65	1";1/2	40	10	149	35	79	234	120	154	2";1/2	164	1814
DKUAC200E	PVC-C system	Armatury	DK DN 15÷65	2"	50	10	172	46	98	272	120	184	2";3/4	195	2752

## FKM

Objednací číslo	Materiál	Kategorie	Série	d	DN	PN	B	B (5:1)	E	H	H (5:1)	La	product.detail.attribute.R[5:1]	Z	g
DKUAC012F	PVC-C system	Armatury	DK DN 15÷65	1/2"	15	10	102	25	41	143	80	90	1"	98	509
DKUAC034F	PVC-C system	Armatury	DK DN 15÷65	3/4"	20	10	105	30	50	167	80	108	1";1/4	115	576

# DKUAC - DIALOCK® 2-WAY DIAPHRAGM VALVE

Objednací číslo	Materiál	Kategorie	Série	d	DN	PN	B	B (5:1)	E	H	H (5:1)	La	product.detail.attribute.R[5:1]	Z	g
DKUAC100F	PVC-C system	Armatury	DK DN 15÷65	1"	25	10	114	33	58	180	80	116	1"	122	812
DKUAC114F	PVC-C system	Armatury	DK DN 15÷65	1 1/4"	32	10	119	30	72	208	80	134	2"	144	945
DKUAC112F	PVC-C system	Armatury	DK DN 15÷65	1 1/2"	40	10	149	35	79	234	120	154	2 1/2"	164	1814
DKUAC200F	PVC-C system	Armatury	DK DN 15÷65	2"	50	10	172	46	98	272	120	184	2 3/4"	195	2752

## PTFE

Objednací číslo	Materiál	Kategorie	Série	d	DN	PN	B	B (5:1)	E	H	H (5:1)	La	product.detail.attribute.R[5:1]	Z	g
DKUAC012P	PVC-C system	Armatury	DK DN 15÷65	1/2"	15	10	102	25	41	143	80	90	1"	98	509
DKUAC034P	PVC-C system	Armatury	DK DN 15÷65	3/4"	20	10	105	30	50	167	80	108	1 1/4"	115	576
DKUAC100P	PVC-C system	Armatury	DK DN 15÷65	1"	25	10	114	33	58	180	80	116	1 1/2"	122	812
DKUAC114P	PVC-C system	Armatury	DK DN 15÷65	1 1/4"	32	10	119	30	72	208	80	134	2"	144	945
DKUAC112P	PVC-C system	Armatury	DK DN 15÷65	1 1/2"	40	10	149	35	79	234	120	154	2 1/2"	164	1814
DKUAC200P	PVC-C system	Armatury	DK DN 15÷65	2"	50	10	172	46	98	272	120	184	2 3/4"	195	2752

# DKUAC - DIALOCK® 2-WAY DIAPHRAGM VALVE

- **High visibility graduated optical position indicator** protected by a transparent cap with seal O-Ring
- **Customisation plate:** the customisation lets you identify the valve on the system according to specific needs
- **DIALOCK® SYSTEM:** innovative handwheel with a patented immediate and ergonomic operating locking device that allows it **to be adjusted and locked in over 300 positions**
- **Handwheel and bonnet in** high mechanical strength and chemically resistant **PP-GR**, providing full protection by isolating all internal metal parts from contact with external agents
- **Floating pin connection** between the control screw and diaphragm to prevent concentrated loads, improve the seal and extend its lifetime
- **New design of valve body interior: substantially increased flow coefficient** and reduced pressure drop. The degree of efficiency reached has also **enabled the size and weight of the valve to be reduced**
- **Adjustment linearity:** the internal profiles of the valve also greatly improve its characteristic curve, resulting in **extremely sensitive and precise adjustment** along the entire stroke of the shutter
- **Valve anchoring** bracket **integrated in the body**, with threaded metal inserts allowing **simple panel or wall mounting** using the PMDK mounting plate (supplied as an accessory)
  
- Connection system for solvent weld, threaded and flanged joints
- **Optimised fluid dynamic design:** maximum output flow rate thanks to the optimised efficiency of the fluid dynamics that characterise the new internal geometry of the body
- **Internal components in metal, totally isolated from the fluid** and external environment
- **Modularity of the range:** only 2 handwheel and 4 diaphragm and bonnet sizes for 7 different valve sizes
- Non-rising handwheel that stays at the same height during rotation, equipped with a graduated optical indicator protected by a transparent PVC cap with seal O-Ring
- Bonnet fastening screws in stainless steel protected against the external environment by PE plugs. Absence of metal parts exposed to the external environment to prevent any risk of corrosion.
- **CDSA** (Circular Diaphragm Sealing Angle) system that, thanks to the uniform distribution of shutter pressure on the diaphragm seal, offers the following advantages:
  - reduction in the tightening torque of the screws fixing the actuator to the valve body
  - reduced mechanical stress on all valve components (actuator, body and diaphragm)
  - easy to clean valve interior
  - low risk of the accumulation of deposits, contamination or damage to the diaphragm due to crystallisation
  - operating torque reduction