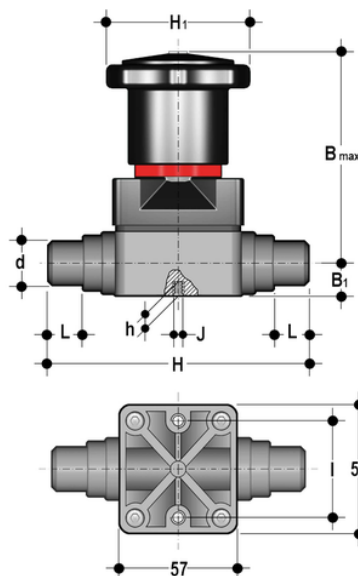


# CMDV - Compact diaphragm valve

Compact diaphragm valve with male ends for solvent welding, metric series



## EPDM

Objednací číslo	Materiál	Kategorie	Série	d	DN	PN	product.detail.attribute.B max	B (5:1)	H	H (5:1)	product.detail.attribute.h	product.detail.attribute.l
CMDV020E	PVC-U system	Armatury	CM DN 12÷15	20	15	6	86	15	124	58,5	8	35

## FKM

Objednací číslo	Materiál	Kategorie	Série	d	DN	PN	product.detail.attribute.B max	B (5:1)	H	H (5:1)	product.detail.attribute.h	product.detail.attribute.l
CMDV020F	PVC-U system	Armatury	CM DN 12÷15	20	15	6	86	15	124	58,5	8	35

## PTFE

Objednací číslo	Materiál	Kategorie	Série	d	DN	PN	product.detail.attribute.B max	B (5:1)	H	H (5:1)	product.detail.attribute.h	product.detail.attribute.l
CMDV020P	PVC-U system	Armatury	CM DN 12÷15	20	15	6	86	15	124	58,5	8	35

# CMDV – Compact diaphragm valve

- **Handwheel in PA-GR, completely sealed**, high mechanical strength with ergonomic grip for optimum manageability
- **Integrated adjustable torque limiter** designed to prevent excessive compression of the diaphragm and always guarantee a minimum fluid flow
- **Optical position indicator** supplied as standard
- **Bonnet in PA-GR with STAINLESS steel nuts** fully protected by plastic plugs to eliminate zones where impurities may accumulate. Internal circular and symmetrical diaphragm sealing area
- **STAINLESS steel bolts**, can also be inserted from above
- **Threaded metal inserts** for anchoring the valve
  
- Connection system for solvent weld and threaded joints
- Extremely compact construction
- **Internal operating components in metal totally isolated from the conveyed fluid**
- Valve stem in STAINLESS steel
- **Compressor with floating diaphragm support**
- Easy to replace diaphragm seal
- Corrosion-proof internal components
- **CDSA** (Circular Diaphragm Sealing Angle) system offering the following advantages:
  - uniform distribution of shutter pressure on the diaphragm seal
  - reduction in the tightening torque of the crews fixing the actuator to the valve body
  - reduced mechanical stress on all valve components (actuator, body and diaphragm)
  - easy to clean valve interior
  - low risk of the accumulation of eposits, contamination or damage to the diaphragm due to crystallisation
  - operating torque reduction