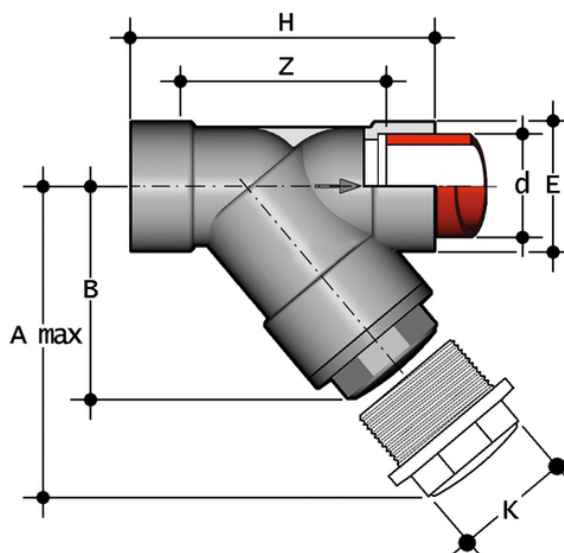


RVIM – Sediment strainer

Sediment strainer with female ends for socket welding, metric series



EPDM

Objednací číslo	Materiál	Kategorie	Série	d	DN	PN	product.detail.attribute.A max	B	E	H	product.detail.attribute.K	Z	product.detail.attri
RVIM075E	PP-H system	Armatury	RV DN 10÷100	75	65	6	300	176	103	241	96	179	B
RVIM090E	PP-H system	Armatury	RV DN 10÷100	90	80	4	325	193	115	260	105	189	B
RVIM110E	PP-H system	Armatury	RV DN 10÷100	110	100	4	385	229	138	323	-	240	C

FKM

Objednací číslo	Materiál	Kategorie	Série	d	DN	PN	product.detail.attribute.A max	B	E	H	product.detail.attribute.K	Z	product.detail.attri
RVIM075F	PP-H system	Armatury	RV DN 10÷100	75	65	6	300	176	103	241	96	179	B
RVIM090F	PP-H system	Armatury	RV DN 10÷100	90	80	4	325	193	115	260	105	189	B
RVIM110F	PP-H system	Armatury	RV DN 10÷100	110	100	4	385	229	138	323	-	240	C



RVIM – Sediment strainer

- Connection system for weld, threaded and flanged joints
- **Strainer** assembled on an **easily removed support** that facilitates cleaning or replacement
- **Valve material compatibility** (PP-H) with water conveyance, drinking water and other food substances according to **current regulations**
- Can be maintained with the valve body installed