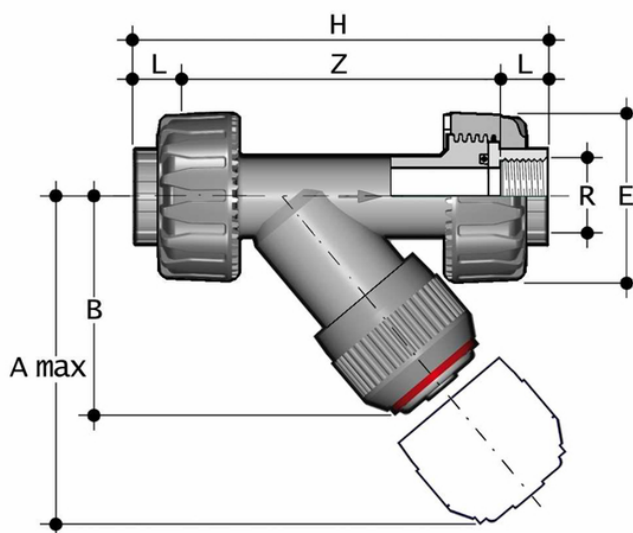


RVUFM – Sediment strainer

Sediment strainer with BSP threaded female union ends



EPDM

Objednací číslo	Materiál	Kategorie	Série	product.detail.attribute.R	DN	PN	product.detail.attribute.A max	B	E	H	Z	product.detail.attribute
RVUFM012E	PP-H system	Armatury	RV DN 10÷100	1/2"	15	10	125	71	55	142	112	A
RVUFM034E	PP-H system	Armatury	RV DN 10÷100	3/4"	20	10	145	83	66	159	126	A
RVUFM100E	PP-H system	Armatury	RV DN 10÷100	1"	25	10	165	94	74	183	145	A
RVUFM114E	PP-H system	Armatury	RV DN 10÷100	1" 1/4	32	10	190	109	86	214	171	A
RVUFM112E	PP-H system	Armatury	RV DN 10÷100	1" 1/2	40	10	210	119	99	235	192	A
RVUFM200E	PP-H system	Armatury	RV DN 10÷100	2"	50	10	240	143	120	285	234	A

FKM

Objednací číslo	Materiál	Kategorie	Série	product.detail.attribute.R	DN	PN	product.detail.attribute.A max	B	E	H	Z	product.detail.attribute
RVUFM012F	PP-H system	Armatury	RV DN 10÷100	1/2"	15	10	125	71	55	142	112	A
RVUFM034F	PP-H system	Armatury	RV DN 10÷100	3/4"	20	10	145	83	66	159	126	A

RVUFM – Sediment strainer

Objednací číslo	Materiál	Kategorie	Série	product.detail.attribute.R	DN	PN	product.detail.attribute.A max	B	E	H	Z	product.detail.attribute
RVUFM100F	PP-H system	Armatury	RV DN 10÷100	1"	25	10	165	94	74	183	145	A
RVUFM114F	PP-H system	Armatury	RV DN 10÷100	1" 1/4	32	10	190	109	86	214	171	A
RVUFM112F	PP-H system	Armatury	RV DN 10÷100	1" 1/2	40	10	210	119	99	235	192	A
RVUFM200F	PP-H system	Armatury	RV DN 10÷100	2"	50	10	240	143	120	285	234	A

RVUFM – Sediment strainer

- Connection system for weld, threaded and flanged joints
- **Strainer** assembled on an **easily removed support** that facilitates cleaning or replacement
- **Valve material compatibility** (PP-H) with water conveyance, drinking water and other food substances according to **current regulations**
- Can be maintained with the valve body installed