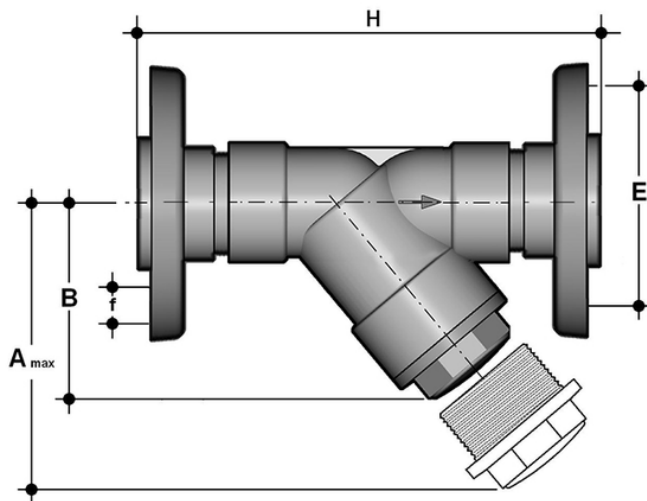


RVOM - Sediment strainer

Sediment strainer with steel core backing ring , PP/FRP coated, drilled EN/ISO/DIN PN10/16



EPDM

Objednací číslo	Materiál	Kategorie	Série	d	DN	PN	product.detail.attribute.A_max	B	product.detail.attribute.F	product.detail.attribute.f	H	g
RVOM075E	PP-H system	Armatury	RV DN 10÷100	75	65	6	300	176	145	18	356	512
RVOM090E	PP-H system	Armatury	RV DN 10÷100	90	80	4	325	192	160	18	404	602
RVOM110E	PP-H system	Armatury	RV DN 10÷100	110	100	4	385	231	180	18	475	796

FKM

Objednací číslo	Materiál	Kategorie	Série	d	DN	PN	product.detail.attribute.A_max	B	product.detail.attribute.F	product.detail.attribute.f	H	g
RVOM075F	PP-H system	Armatury	RV DN 10÷100	75	65	6	300	176	145	18	356	512
RVOM090F	PP-H system	Armatury	RV DN 10÷100	90	80	4	325	192	160	18	404	602
RVOM110F	PP-H system	Armatury	RV DN 10÷100	110	100	4	385	231	180	18	475	792

RVOM – Sediment strainer

- Connection system for weld, threaded and flanged joints
- **Strainer** assembled on an **easily removed support** that facilitates cleaning or replacement
- **Valve material compatibility** (PP-H) with water conveyance, drinking water and other food substances according to **current regulations**
- Can be maintained with the valve body installed