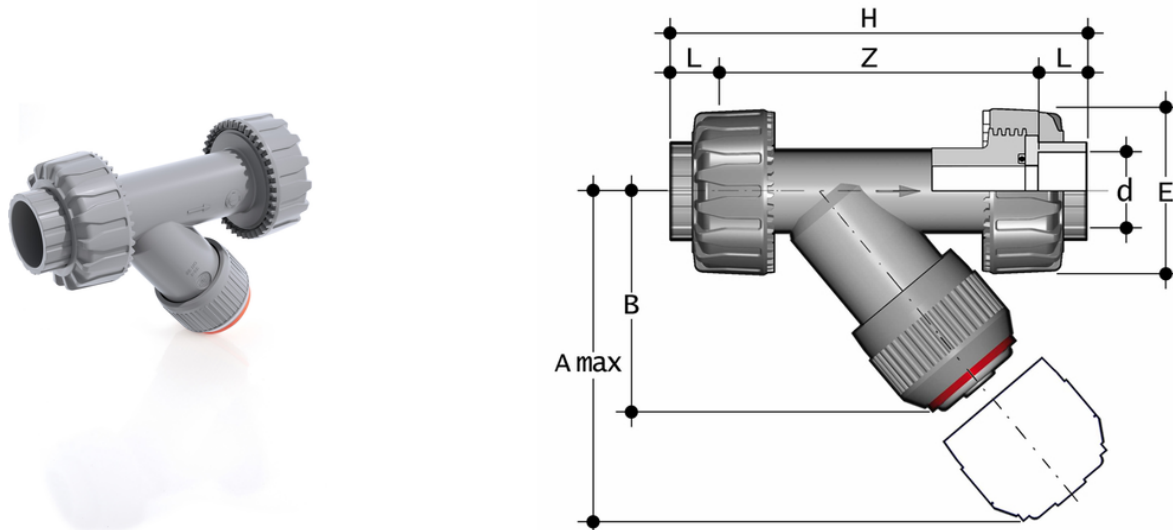


RVUIC – SEDIMENT STRAINER

Sediment strainer with female union ends for solvent welding, metric series



EPDM

Objednací číslo	Materiál	Kategorie	Série	d	DN	PN	product.detail.attribute.A max	B	E	H	L	Z	g
RVUIC020E	PVC-C system	Armatury	RV DN 10÷100	20	15	16	125	72	55	135	16	103	231
RVUIC025E	PVC-C system	Armatury	RV DN 10÷100	25	20	16	145	84	66	158	19	120	392
RVUIC032E	PVC-C system	Armatury	RV DN 10÷100	32	25	16	165	95	75	176	22	132	576
RVUIC040E	PVC-C system	Armatury	RV DN 10÷100	40	32	16	190	111	87	207	26	155	802
RVUIC050E	PVC-C system	Armatury	RV DN 10÷100	50	40	16	210	120	100	243	31	181	1199
RVUIC063E	PVC-C system	Armatury	RV DN 10÷100	63	50	16	240	139	120	298	38	222	2018

FKM

Objednací číslo	Materiál	Kategorie	Série	d	DN	PN	product.detail.attribute.A max	B	E	H	L	Z	g
RVUIC020F	PVC-C system	Armatury	RV DN 10÷100	20	15	16	125	72	55	135	16	103	231
RVUIC025F	PVC-C system	Armatury	RV DN 10÷100	25	20	16	145	84	66	158	19	120	392
RVUIC032F	PVC-C system	Armatury	RV DN 10÷100	32	25	16	165	95	75	176	22	132	576
RVUIC040F	PVC-C system	Armatury	RV DN 10÷100	40	32	16	190	111	87	207	26	155	802
RVUIC050F	PVC-C system	Armatury	RV DN 10÷100	50	40	16	210	120	100	243	31	181	1199
RVUIC063F	PVC-C system	Armatury	RV DN 10÷100	63	50	16	240	139	120	298	38	222	2018

RVUIC – SEDIMENT STRAINER

- Connection system for solvent weld, threaded and flanged joints
- **Strainer** mounted on an easily removed **support** that facilitates the cleaning or replacement
- **Valve material compatibility** (PVC-C) with water conveyance, drinking water and other food substances according to **current regulations**
- Can be maintained with the valve body installed