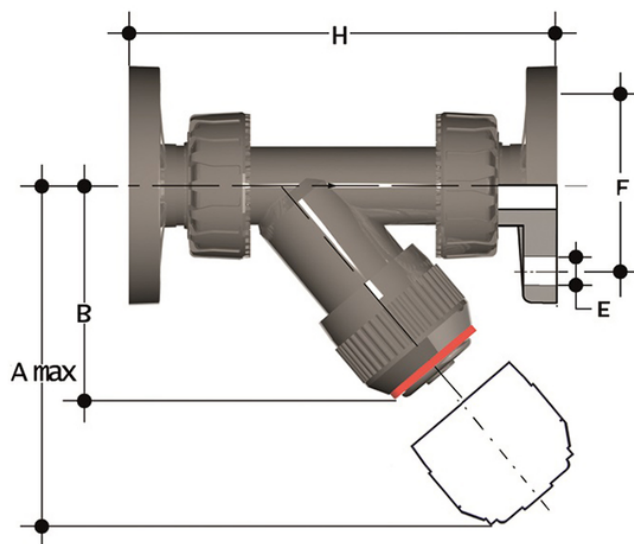


# RVUOAM – Sediment strainer

Sediment strainer with female union ends and fixed flanges, drilled ANSI B16.5 cl.150 #FF



## EPDM

| Objednací číslo | Materiál    | Kategorie | Série        | d      | DN | PN | product.detail.attribute.A max | B   | product.detail.attribute.F | product.detail.attribute.f |
|-----------------|-------------|-----------|--------------|--------|----|----|--------------------------------|-----|----------------------------|----------------------------|
| RVUOAM012E      | PP-H system | Armatury  | RV DN 10÷100 | 1/2"   | 15 | 10 | 125                            | 72  | 60                         | 16                         |
| RVUOAM034E      | PP-H system | Armatury  | RV DN 10÷100 | 3/4"   | 20 | 10 | 145                            | 84  | 70                         | 16                         |
| RVUOAM100E      | PP-H system | Armatury  | RV DN 10÷100 | 1"     | 25 | 10 | 165                            | 95  | 79                         | 16                         |
| RVUOAM114E      | PP-H system | Armatury  | RV DN 10÷100 | 1 1/4" | 32 | 10 | 190                            | 111 | 89                         | 16                         |
| RVUOAM112E      | PP-H system | Armatury  | RV DN 10÷100 | 1 1/2" | 40 | 10 | 210                            | 120 | 98                         | 16                         |
| RVUOAM200E      | PP-H system | Armatury  | RV DN 10÷100 | 2"     | 50 | 10 | 240                            | 139 | 121                        | 19                         |

## FKM

| Objednací číslo | Materiál    | Kategorie | Série        | d    | DN | PN | product.detail.attribute.A max | B  | product.detail.attribute.F | product.detail.attribute.f |
|-----------------|-------------|-----------|--------------|------|----|----|--------------------------------|----|----------------------------|----------------------------|
| RVUOAM012F      | PP-H system | Armatury  | RV DN 10÷100 | 1/2" | 15 | 10 | 125                            | 72 | 60                         | 16                         |
| RVUOAM034F      | PP-H system | Armatury  | RV DN 10÷100 | 3/4" | 20 | 10 | 145                            | 84 | 70                         | 16                         |

## RVUOAM – Sediment strainer

| Objednací číslo | Materiál    | Kategorie | Série        | d        | DN | PN | product.detail.attribute.A max | B   | product.detail.attribute.F | product.detail.attribute.f |
|-----------------|-------------|-----------|--------------|----------|----|----|--------------------------------|-----|----------------------------|----------------------------|
| RVUOAM100F      | PP-H system | Armatury  | RV DN 10÷100 | 1" ;     | 25 | 10 | 165                            | 95  | 79                         | 16                         |
| RVUOAM114F      | PP-H system | Armatury  | RV DN 10÷100 | 1" ; 1/4 | 32 | 10 | 190                            | 111 | 89                         | 16                         |
| RVUOAM112F      | PP-H system | Armatury  | RV DN 10÷100 | 1" ; 1/2 | 40 | 10 | 210                            | 120 | 98                         | 16                         |
| RVUOAM200F      | PP-H system | Armatury  | RV DN 10÷100 | 2" ;     | 50 | 10 | 240                            | 139 | 121                        | 19                         |



## RVUOAM – Sediment strainer

- Connection system for weld, threaded and flanged joints
- **Strainer** assembled on an **easily removed support** that facilitates cleaning or replacement
- **Valve material compatibility** (PP-H) with water conveyance, drinking water and other food substances according to **current regulations**
- Can be maintained with the valve body installed