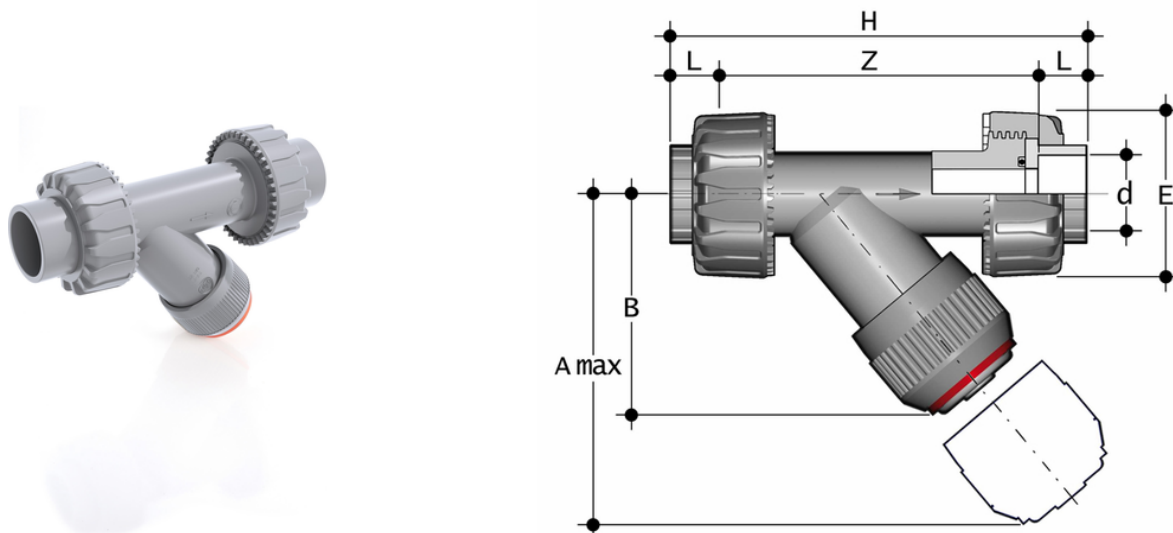


RVUAC - SEDIMENT STRAINER

Sediment strainer with female union ends for solvent welding, ASTM series



EPDM

Objednací číslo	Materiál	Kategorie	Série	d	DN	PN	product.detail.attribute.A max	B	E	H	L	Z	g
RVUAC012E	PVC-C system	Armatury	RV DN 10÷100	1/2"	15	16	125	72	55	149	22,5	104	231
RVUAC034E	PVC-C system	Armatury	RV DN 10÷100	3/4"	20	16	145	84	66	172	25,5	121	392
RVUAC100E	PVC-C system	Armatury	RV DN 10÷100	1"	25	16	165	95	75	190	28,7	132,6	576
RVUAC114E	PVC-C system	Armatury	RV DN 10÷100	1" 1/4	32	10	190	111	87	223	32	159	802
RVUAC112E	PVC-C system	Armatury	RV DN 10÷100	1" 1/2	40	10	210	120	100	251	35	181	1199
RVUAC200E	PVC-C system	Armatury	RV DN 10÷100	2"	50	10	240	139	120	298	38,2	221,6	2018

FKM

Objednací číslo	Materiál	Kategorie	Série	d	DN	PN	product.detail.attribute.A max	B	E	H	L	Z	g
RVUAC012F	PVC-C system	Armatury	RV DN 10÷100	1/2"	15	16	125	72	55	149	22,5	104	231
RVUAC034F	PVC-C system	Armatury	RV DN 10÷100	3/4"	20	16	145	84	66	172	25,5	121	392
RVUAC100F	PVC-C system	Armatury	RV DN 10÷100	1"	25	16	165	95	75	190	28,7	132,6	576
RVUAC114F	PVC-C system	Armatury	RV DN 10÷100	1" 1/4	32	10	190	111	87	223	32	159	802
RVUAC112F	PVC-C system	Armatury	RV DN 10÷100	1" 1/2	40	10	210	120	100	251	35	181	1199
RVUAC200F	PVC-C system	Armatury	RV DN 10÷100	2"	50	10	240	139	120	298	38,2	221,6	2018



RVUAC – SEDIMENT STRAINER

- Connection system for solvent weld, threaded and flanged joints
- **Strainer** mounted on an easily removed **support** that facilitates the cleaning or replacement
- **Valve material compatibility** (PVC-C) with water conveyance, drinking water and other food substances according to **current regulations**
- Can be maintained with the valve body installed