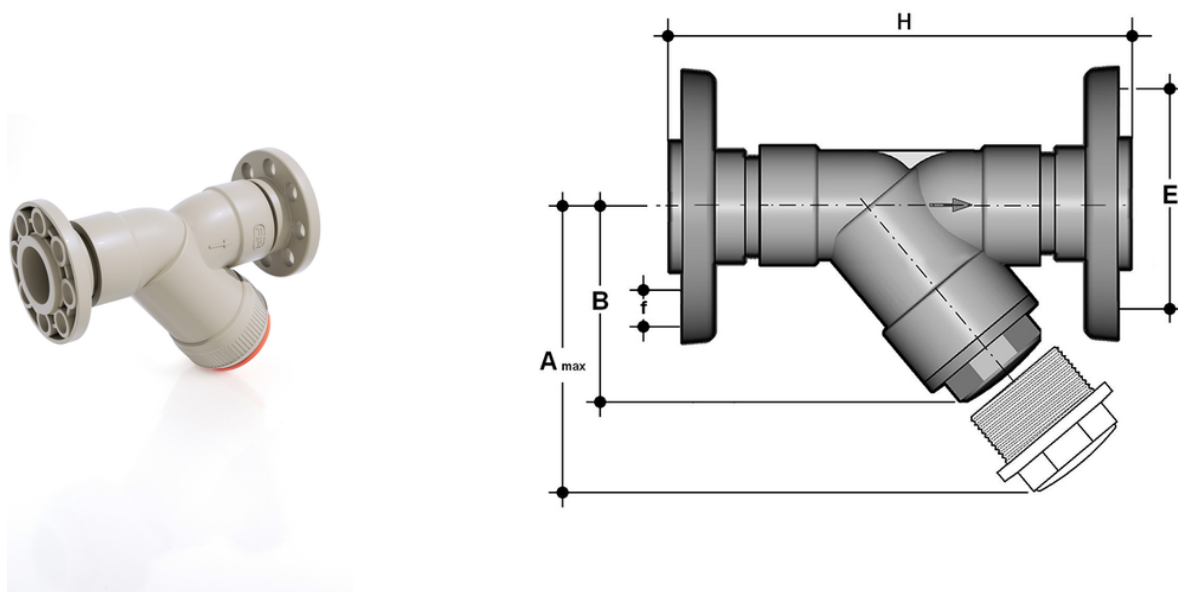


# RVOAM – Sediment strainer

Sediment strainer with steel core backing ring , PP/FRP coated, drilled ANSI B16.5 cl.150 #FF



## EPDM

Objednací číslo	Materiál	Kategorie	Série	product.detail.attribute.d - Size	DN	PN	product.detail.attribute.A max	B	product.detail.attribute.F	product.de
RVOAM212E	PP-H system	Armatury	RV DN 10÷100	75 - 2"1/2	65	6	300	179	139,7	18
RVOAM300E	PP-H system	Armatury	RV DN 10÷100	90 - 3"	80	4	325	192	152,4	18
RVOAM400E	PP-H system	Armatury	RV DN 10÷100	110 - 4"	100	4	385	231	190,5	18

## FKM

Objednací číslo	Materiál	Kategorie	Série	product.detail.attribute.d - Size	DN	PN	product.detail.attribute.A max	B	product.detail.attribute.F	product.de
RVOAM212F	PP-H system	Armatury	RV DN 10÷100	75 - 2"1/2	65	6	300	179	139,7	18
RVOAM300F	PP-H system	Armatury	RV DN 10÷100	90 - 3"	80	4	325	192	152,4	18
RVOAM400F	PP-H system	Armatury	RV DN 10÷100	110 - 4"	100	4	385	231	190,5	18



## RVOAM – Sediment strainer

- Connection system for weld, threaded and flanged joints
- **Strainer** assembled on an **easily removed support** that facilitates cleaning or replacement
- **Valve material compatibility** (PP-H) with water conveyance, drinking water and other food substances according to **current regulations**
- Can be maintained with the valve body installed