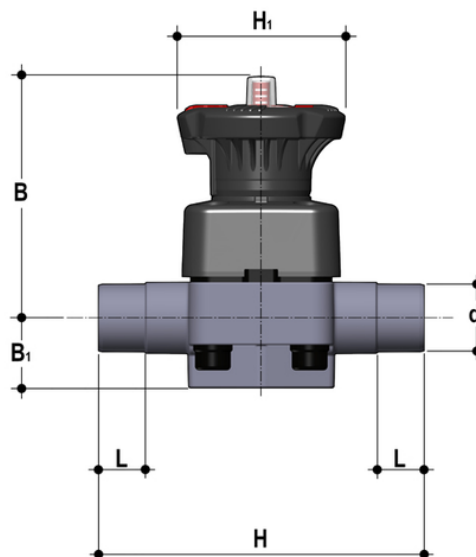


DKDC - DIALOCK® 2-WAY DIAPHRAGM VALVE

DIALOCK® diaphragm valve with male ends for solvent welding, metric series



EPDM

| Objednací číslo | Materiál | Kategorie | Série | d | DN | PN | B | B (5:1) | H | H (5:1) | L | g |
|-----------------|--------------|-----------|-------------|----|----|----|-----|---------|-----|---------|----|------|
| DKDC020E | PVC-C system | Armatury | DK DN 15÷65 | 20 | 15 | 10 | 102 | 25 | 124 | 80 | 16 | 466 |
| DKDC025E | PVC-C system | Armatury | DK DN 15÷65 | 25 | 20 | 10 | 105 | 30 | 144 | 80 | 19 | 491 |
| DKDC032E | PVC-C system | Armatury | DK DN 15÷65 | 32 | 25 | 10 | 114 | 33 | 154 | 80 | 22 | 696 |
| DKDC040E | PVC-C system | Armatury | DK DN 15÷65 | 40 | 32 | 10 | 119 | 30 | 174 | 80 | 26 | 743 |
| DKDC050E | PVC-C system | Armatury | DK DN 15÷65 | 50 | 40 | 10 | 149 | 35 | 194 | 120 | 31 | 1574 |
| DKDC063E | PVC-C system | Armatury | DK DN 15÷65 | 63 | 50 | 10 | 172 | 46 | 224 | 120 | 38 | 2310 |
| DKDC075E | PVC-C system | Armatury | DK DN 15÷65 | 75 | 65 | 10 | 172 | 46 | 284 | 120 | 44 | 2430 |

EPDM

| Objednací číslo | Materiál | Kategorie | Série | d | DN | PN | B | B (5:1) | H | H (5:1) | L | g |
|-----------------|--------------|-----------|-------------|----|----|----|-----|---------|-----|---------|----|------|
| DKDC020E0SF | PVC-C system | Armatury | DK DN 15÷65 | 20 | 15 | 10 | 102 | 25 | 124 | 80 | 16 | 466 |
| DKDC025E0SF | PVC-C system | Armatury | DK DN 15÷65 | 25 | 20 | 10 | 105 | 30 | 144 | 80 | 19 | 491 |
| DKDC032E0SF | PVC-C system | Armatury | DK DN 15÷65 | 32 | 25 | 10 | 114 | 33 | 154 | 80 | 22 | 696 |
| DKDC040E0SF | PVC-C system | Armatury | DK DN 15÷65 | 40 | 32 | 10 | 119 | 30 | 174 | 80 | 26 | 743 |
| DKDC050E0SF | PVC-C system | Armatury | DK DN 15÷65 | 50 | 40 | 10 | 149 | 35 | 194 | 120 | 31 | 1574 |
| DKDC063E0SF | PVC-C system | Armatury | DK DN 15÷65 | 63 | 50 | 10 | 172 | 46 | 224 | 120 | 38 | 2310 |
| DKDC075E0SF | PVC-C system | Armatury | DK DN 15÷65 | 75 | 65 | 10 | 172 | 46 | 284 | 120 | 44 | 2430 |

DKDC - DIALOCK® 2-WAY DIAPHRAGM VALVE

FKM

| Objednací číslo | Materiál | Kategorie | Série | d | DN | PN | B | B (5:1) | H | H (5:1) | L | g |
|-----------------|--------------|-----------|-------------|----|----|----|-----|---------|-----|---------|----|------|
| DKDC020F | PVC-C system | Armatury | DK DN 15÷65 | 20 | 15 | 10 | 102 | 25 | 124 | 80 | 16 | 466 |
| DKDC025F | PVC-C system | Armatury | DK DN 15÷65 | 25 | 20 | 10 | 105 | 30 | 144 | 80 | 19 | 491 |
| DKDC032F | PVC-C system | Armatury | DK DN 15÷65 | 32 | 25 | 10 | 114 | 33 | 154 | 80 | 22 | 696 |
| DKDC040F | PVC-C system | Armatury | DK DN 15÷65 | 40 | 32 | 10 | 119 | 30 | 174 | 80 | 26 | 743 |
| DKDC050F | PVC-C system | Armatury | DK DN 15÷65 | 50 | 40 | 10 | 149 | 35 | 194 | 120 | 31 | 1574 |
| DKDC063F | PVC-C system | Armatury | DK DN 15÷65 | 63 | 50 | 10 | 172 | 46 | 224 | 120 | 38 | 2310 |
| DKDC075F | PVC-C system | Armatury | DK DN 15÷65 | 75 | 65 | 10 | 172 | 46 | 284 | 120 | 44 | 2430 |

PTFE

| Objednací číslo | Materiál | Kategorie | Série | d | DN | PN | B | B (5:1) | H | H (5:1) | L | g |
|-----------------|--------------|-----------|-------------|----|----|----|-----|---------|-----|---------|----|------|
| DKDC020P | PVC-C system | Armatury | DK DN 15÷65 | 20 | 15 | 10 | 102 | 25 | 124 | 80 | 16 | 466 |
| DKDC025P | PVC-C system | Armatury | DK DN 15÷65 | 25 | 20 | 10 | 105 | 30 | 144 | 80 | 19 | 491 |
| DKDC032P | PVC-C system | Armatury | DK DN 15÷65 | 32 | 25 | 10 | 114 | 33 | 154 | 80 | 22 | 696 |
| DKDC040P | PVC-C system | Armatury | DK DN 15÷65 | 40 | 32 | 10 | 119 | 30 | 174 | 80 | 26 | 743 |
| DKDC050P | PVC-C system | Armatury | DK DN 15÷65 | 50 | 40 | 10 | 149 | 35 | 194 | 120 | 31 | 1574 |
| DKDC063P | PVC-C system | Armatury | DK DN 15÷65 | 63 | 50 | 10 | 172 | 46 | 224 | 120 | 38 | 2310 |
| DKDC075P | PVC-C system | Armatury | DK DN 15÷65 | 75 | 65 | 10 | 172 | 46 | 284 | 120 | 44 | 2430 |

PTFE

| Objednací číslo | Materiál | Kategorie | Série | d | DN | PN | B | B (5:1) | H | H (5:1) | L | g |
|-----------------|--------------|-----------|-------------|----|----|----|-----|---------|-----|---------|----|------|
| DKDC020P0SF | PVC-C system | Armatury | DK DN 15÷65 | 20 | 15 | 10 | 102 | 25 | 124 | 80 | 16 | 466 |
| DKDC025P0SF | PVC-C system | Armatury | DK DN 15÷65 | 25 | 20 | 10 | 105 | 30 | 144 | 80 | 19 | 491 |
| DKDC032P0SF | PVC-C system | Armatury | DK DN 15÷65 | 32 | 25 | 10 | 114 | 33 | 154 | 80 | 22 | 696 |
| DKDC040P0SF | PVC-C system | Armatury | DK DN 15÷65 | 40 | 32 | 10 | 119 | 30 | 174 | 80 | 26 | 743 |
| DKDC050P0SF | PVC-C system | Armatury | DK DN 15÷65 | 50 | 40 | 10 | 149 | 35 | 194 | 120 | 31 | 1574 |
| DKDC063P0SF | PVC-C system | Armatury | DK DN 15÷65 | 63 | 50 | 10 | 172 | 46 | 224 | 120 | 38 | 2310 |
| DKDC075P0SF | PVC-C system | Armatury | DK DN 15÷65 | 75 | 65 | 10 | 172 | 46 | 284 | 120 | 44 | 2430 |

DKDC - DIALOCK® 2-WAY DIAPHRAGM VALVE

- **High visibility graduated optical position indicator** protected by a transparent cap with seal O-Ring
- **Customisation plate:** the customisation lets you identify the valve on the system according to specific needs
- **DIALOCK® SYSTEM:** innovative handwheel with a patented immediate and ergonomic operating locking device that allows it **to be adjusted and locked in over 300 positions**
- **Handwheel and bonnet in** high mechanical strength and chemically resistant **PP-GR**, providing full protection by isolating all internal metal parts from contact with external agents
- **Floating pin connection** between the control screw and diaphragm to prevent concentrated loads, improve the seal and extend its lifetime
- **New design of valve body interior: substantially increased flow coefficient** and reduced pressure drop. The degree of efficiency reached has also **enabled the size and weight of the valve to be reduced**
- **Adjustment linearity:** the internal profiles of the valve also greatly improve its characteristic curve, resulting in **extremely sensitive and precise adjustment** along the entire stroke of the shutter
- **Valve anchoring** bracket **integrated in the body**, with threaded metal inserts allowing **simple panel or wall mounting** using the PMDK mounting plate (supplied as an accessory)

- Connection system for solvent weld, threaded and flanged joints
- **Optimised fluid dynamic design:** maximum output flow rate thanks to the optimised efficiency of the fluid dynamics that characterise the new internal geometry of the body
- **Internal components in metal, totally isolated from the fluid** and external environment
- **Modularity of the range:** only 2 handwheel and 4 diaphragm and bonnet sizes for 7 different valve sizes
- Non-rising handwheel that stays at the same height during rotation, equipped with a graduated optical indicator protected by a transparent PVC cap with seal O-Ring
- Bonnet fastening screws in stainless steel protected against the external environment by PE plugs. Absence of metal parts exposed to the external environment to prevent any risk of corrosion.
- **CDSA** (Circular Diaphragm Sealing Angle) system that, thanks to the uniform distribution of shutter pressure on the diaphragm seal, offers the following advantages:
 - reduction in the tightening torque of the screws fixing the actuator to the valve body
 - reduced mechanical stress on all valve components (actuator, body and diaphragm)
 - easy to clean valve interior
 - low risk of the accumulation of deposits, contamination or damage to the diaphragm due to crystallisation
 - operating torque reduction