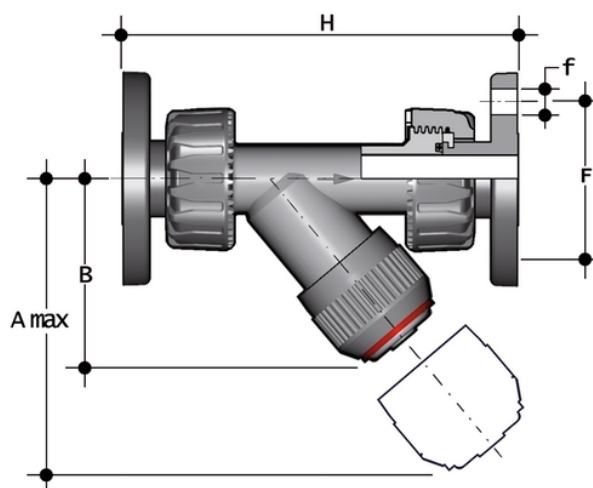


# RVUOC - SEDIMENT STRAINER

Sediment strainer with fixed flanges, drilled EN/ISO/DIN PN10/16.



## EPDM

Objednací číslo	Materiál	Kategorie	Série	d	DN	PN	product.detail.attribute.A max	B	product.detail.attribute.F	product.detail.attribute.f	H	g
RVUOC020E	PVC-C system	Armatury	RV DN 10÷100	20	15	16	125	72	65	14	163	36
RVUOC025E	PVC-C system	Armatury	RV DN 10÷100	25	20	16	145	84	75	14	193	49
RVUOC032E	PVC-C system	Armatury	RV DN 10÷100	32	25	16	165	95	85	14	211	66
RVUOC040E	PVC-C system	Armatury	RV DN 10÷100	40	32	16	190	111	100	18	244	100
RVUOC050E	PVC-C system	Armatury	RV DN 10÷100	50	40	16	210	120	110	18	277	132
RVUOC063E	PVC-C system	Armatury	RV DN 10÷100	63	50	16	240	139	125	18	331	190

## FKM

Objednací číslo	Materiál	Kategorie	Série	d	DN	PN	product.detail.attribute.A max	B	product.detail.attribute.F	product.detail.attribute.f	H	g
RVUOC020F	PVC-C system	Armatury	RV DN 10÷100	20	15	16	125	72	65	14	163	36
RVUOC025F	PVC-C system	Armatury	RV DN 10÷100	25	20	16	145	84	75	14	193	49

# RVUOC - SEDIMENT STRAINER

Objednací číslo	Materiál	Kategorie	Série	d	DN	PN	product.detail.attribute.A max	B	product.detail.attribute.F	product.detail.attribute.f	H	g
RVUOC032F	PVC-C system	Armatury	RV DN 10÷100	32	25	16	165	95	85	14	211	66
RVUOC040F	PVC-C system	Armatury	RV DN 10÷100	40	32	16	190	111	100	18	244	100
RVUOC050F	PVC-C system	Armatury	RV DN 10÷100	50	40	16	210	120	110	18	277	132
RVUOC063F	PVC-C system	Armatury	RV DN 10÷100	63	50	16	240	139	125	18	331	190



## RVUOC - SEDIMENT STRAINER

- Connection system for solvent weld, threaded and flanged joints
- **Strainer** mounted on an easily removed **support** that facilitates the cleaning or replacement
- **Valve material compatibility** (PVC-C) with water conveyance, drinking water and other food substances according to **current regulations**
- Can be maintained with the valve body installed