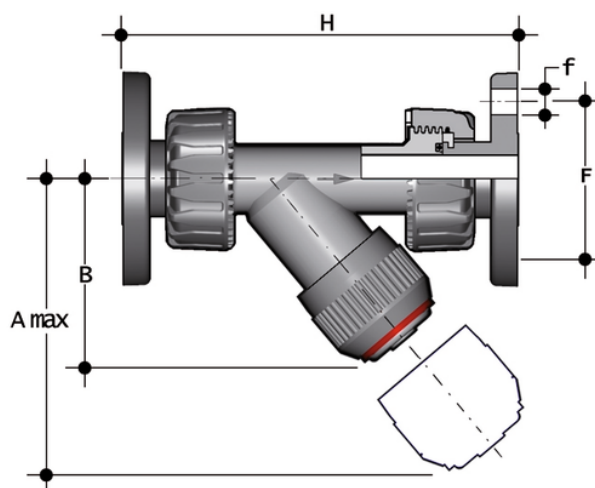


RVUOAC – SEDIMENT STRAINER

Sediment strainer with fixed flanges, drilled ANSI B16.5 cl.150 #FF



EPDM

Objednací číslo	Materiál	Kategorie	Série	product.detail.attribute.Size	DN	PN	product.detail.attribute.A max	B	product.detail.attribute.F	product
RVUOAC012E	PVC-C system	Armatury	RV DN 10÷100	1/2"	15	16	125	72	60,3	15,9
RVUOAC034E	PVC-C system	Armatury	RV DN 10÷100	3/4"	20	16	145	84	69,9	15,9
RVUOAC100E	PVC-C system	Armatury	RV DN 10÷100	1"	25	16	165	95	79,4	15,9
RVUOAC114E	PVC-C system	Armatury	RV DN 10÷100	1"1/4	32	16	190	111	88,9	15,9
RVUOAC112E	PVC-C system	Armatury	RV DN 10÷100	1"1/2	40	16	210	120	98,4	15,9
RVUOAC200E	PVC-C system	Armatury	RV DN 10÷100	2"	50	16	240	139	120,7	19,1

FKM

Objednací číslo	Materiál	Kategorie	Série	product.detail.attribute.Size	DN	PN	product.detail.attribute.A max	B	product.detail.attribute.F	product
RVUOAC012F	PVC-C system	Armatury	RV DN 10÷100	1/2"	15	16	125	72	60,3	15,9
RVUOAC034F	PVC-C system	Armatury	RV DN 10÷100	3/4"	20	16	145	84	69,9	15,9

RVUOAC – SEDIMENT STRAINER

Objednací číslo	Materiál	Kategorie	Série	product.detail.attribute.Size	DN	PN	product.detail.attribute.A max	B	product.detail.attribute.F	product
RVUOAC100F	PVC-C system	Armatury	RV DN 10÷100	1"	25	16	165	95	79,4	15,9
RVUOAC114F	PVC-C system	Armatury	RV DN 10÷100	1 1/4"	32	16	190	111	88,9	15,9
RVUOAC112F	PVC-C system	Armatury	RV DN 10÷100	1 1/2"	40	16	210	120	98,4	15,9
RVUOAC200F	PVC-C system	Armatury	RV DN 10÷100	2"	50	16	240	139	120,7	19,1



RVUOAC – SEDIMENT STRAINER

- Connection system for solvent weld, threaded and flanged joints
- **Strainer** mounted on an easily removed **support** that facilitates the cleaning or replacement
- **Valve material compatibility** (PVC-C) with water conveyance, drinking water and other food substances according to **current regulations**
- Can be maintained with the valve body installed