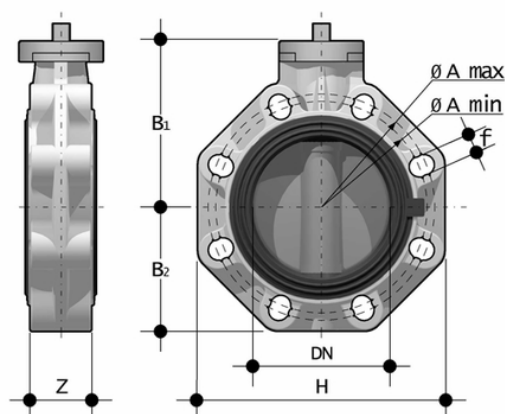


# FKOF/FM – Butterfly valve

Butterfly valve with bare shaft



Objednací číslo	Materiál	Kategorie	Série	product.detail.attribute.d - Size	DN	PN	product.detail.attribute.A min	product.detail.attribute.A max	p
FKOFFM225F	PVDF system	Armatury	FK DN 40÷400	225 - 8"	200	10	280	298	-
FKOFFM140F	PVDF system	Armatury	FK DN 40÷400	140 - 5"	125	10	204	215	-
FKOFFM110F	PVDF system	Armatury	FK DN 40÷400	110 - 4"	100	10	165	190	-
FKOFFM090F	PVDF system	Armatury	FK DN 40÷400	90 - 3"	80	10	145	160	-
FKOFFM075F	PVDF system	Armatury	FK DN 40÷400	75 - 2 1/2"	65	10	128	144	-
FKOFFM063F	PVDF system	Armatury	FK DN 40÷400	63 - 2"	50	16	115	125,5	-
FKOFFM050F	PVDF system	Armatury	FK DN 40÷400	50 - 1 1/2"	40	16	99	109	-
FKOFFM280F	PVDF system	Armatury	FK DN 40÷400	-	-	-	-	-	-
FKOAFM816F	PVDF system	Armatury	FK DN 40÷400	16"	**400	6	-	540	-
FKOAFM814F	PVDF system	Armatury	FK DN 40÷400	14"	**350	7	-	476	-
FKOFFM400F	PVDF system	Armatury	FK DN 40÷400	400	*400	6	-	515	-
FKOFFM355F	PVDF system	Armatury	FK DN 40÷400	355	*350	7	-	460	-

## FKOF/FM - Butterfly valve

Objednáací číslo	Materiál	Kategorie	Série	product.detail.attribute.d - Size	DN	PN	product.detail.attribute.A min	product.detail.attribute.A max	p
FKOAFM812F	PVDF system	Armatury	FK DN 40÷400	12"	**300	8	-	-	4
FKOAFM810F	PVDF system	Armatury	FK DN 40÷400	10"	**250	10	-	-	3
FKOFFM315F	PVDF system	Armatury	FK DN 40÷400	315	*300	8	-	-	4
FKOFFM280F	PVDF system	Armatury	FK DN 40÷400	280	*250	10	-	-	3
FKOFFM160F	PVDF system	Armatury	FK DN 40÷400	160 - 6"	150	10	230	242	-

## FKOF/FM – Butterfly valve

- **Ergonomic handle** in HIPVC equipped with **locking and unlocking device, release, quick operation and graduated adjustment** in 10 intermediate positions (DN 40÷200). The operating range, starting from the first few degrees of valve opening, also guarantees extremely low pressure drops.
- **Customisable Labelling System:** integrated module in the handle, made of a transparent protection plug and a customisable tag holder using the LSE set (available as an accessory). The **customisation** lets you **identify the valve on the system** according to specific needs.
- **STAINLESS steel square section stem** completely isolated from the fluid complying with standard ISO 5211: DN 40÷65: 11 mm DN 80÷100: 14 mm DN 125÷150: 17 mm DN 200: 22 mm DN 250÷400: 27 mm
- **Body** in polypropylene based **compound reinforced with fibreglass (PP-GR) resistant to UV rays** and characterised by **high mechanical strength**.
- **Drilling pattern using oval slots** that allow coupling to flanges according to numerous international standards. The special **self-centring inserts in ABS** supplied for DN 40÷200 guarantee the **correct axial alignment** of the valve during installation. For DN 250÷400 valves, the drilling pattern for the selfcentring system is of the traditional type according to DIN and ANSI standards.
- **Interchangeable liner** with the dual function of forming a hydraulic seal and isolating the body from the fluid.
- Interchangeable Disk in PVDF with through shaft, available in different thermoplastic materials: PVC-U, PP-H, PVC-C, ABS Overall dimensions of the valve in accordance with standard ISO 5752 (DN 40÷200 Medium Series 25, DN 250÷ 300 Long Series 16) and DIN 3202 K2 and ISO 5752 (DN 65÷200 K2, DN 250÷300 K3) Can also be installed as an end line valve, bottom discharge valve or tank dump valve **Special Lug version** PN 10 fully drilled according to DIN 2501 or ANSI B16.5 cl.150 **with molded-in AISI 316 stainless steel threaded inserts** Possibility of installing a manual reducer or pneumatic and/or electric actuators by applying an ISO standard drilling PP-GR flanges. DN 40 ÷ 200 valve equipped with plate with rack in PP-GR. For actuated versions with flange drilled according to ISO 5211 F05, F07, F10. DN 250÷300 valve, fitted with one-piece top flange in high mechanical strength PP-GR with mounting flange for internal components drilled according to standard ISO 5211 F10 (excluding DN 350÷400), F12, F14. Possibility to have handle with integrated LSQT limit micro switch, even as a retrofit in existing installations