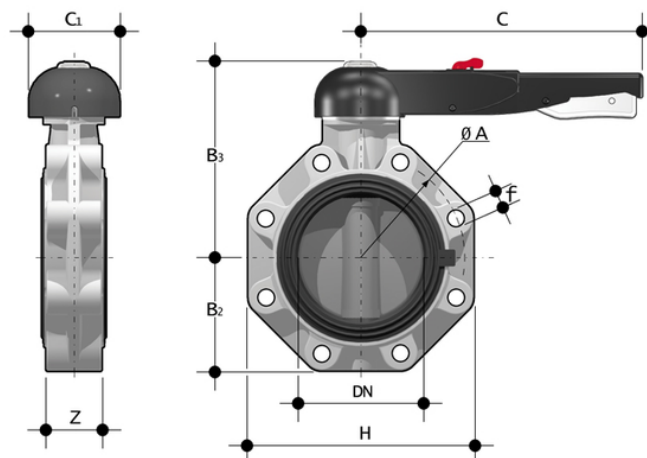


FKOC/LM LUG ANSI - BUTTERFLY VALVE

Hand operated Butterfly valve, version Lug ANSI



EPDM

Objednací číslo	Materiál	Kategorie	Série	d	DN	PN	product.detail.attribute.ØA	B (5:1)	product.detail.attribute.B[5:2]	C	C (5:1)	product.detail.attribute.C[5:2]
FKOALCLM212E	PVC-C system	Armatury	FK DN 40÷400	2" 1/2	65	10	139,7	119	80	175	110	5/8"
FKOALCLM300E	PVC-C system	Armatury	FK DN 40÷400	3"	80	10	152,4	133	93	175	110	5/8"
FKOALCLM400E	PVC-C system	Armatury	FK DN 40÷400	4"	100	10	190,5	147	107	272	110	5/8"
FKOALCLM500E	PVC-C system	Armatury	FK DN 40÷400	5"	125	10	215,9	167	120	330	110	3/4"
FKOALCLM600E	PVC-C system	Armatury	FK DN 40÷400	6"	150	10	241,3	180	134	330	110	3/4"
FKOALCLM800E	PVC-C system	Armatury	FK DN 40÷400	8"	200	10	298,4	227	161	420	122	3/4"

FKM

Objednací číslo	Materiál	Kategorie	Série	d	DN	PN	product.detail.attribute.ØA	B (5:1)	product.detail.attribute.B[5:2]	C	C (5:1)	product.detail.attribute.C[5:2]
FKOALCLM212F	PVC-C system	Armatury	FK DN 40÷400	2" 1/2	65	10	139,7	119	80	175	110	5/8"
FKOALCLM300F	PVC-C system	Armatury	FK DN 40÷400	3"	80	10	152,4	133	93	175	110	5/8"

FKOC/LM LUG ANSI - BUTTERFLY VALVE

Objednačí číslo	Materiál	Kategorie	Série	d	DN	PN	product.detail.attribute.øA	B (5:1)	product.detail.attribute.B[5:2]	C	C (5:1)	product.det
FKOALCLM400F	PVC-C system	Armatury	FK DN 40÷400	4"	100	10	190,5	147	107	272	110	5/8"
FKOALCLM500F	PVC-C system	Armatury	FK DN 40÷400	5"	125	10	215,9	167	120	330	110	3/4"
FKOALCLM600F	PVC-C system	Armatury	FK DN 40÷400	6"	150	10	241,3	180	134	330	110	3/4"
FKOALCLM800F	PVC-C system	Armatury	FK DN 40÷400	8"	200	10	298,4	227	161	420	122	3/4"

FKM

Objednačí číslo	Materiál	Kategorie	Série	d	DN	PN	product.detail.attribute.øA	B (5:1)	product.detail.attribute.B[5:2]	C	C (5:1)	product.
FKOALCLM212F0SF	PVC-C system	Armatury	FK DN 40÷400	2" 1/2	65	10	139,7	119	80	175	110	5/8"
FKOALCLM300F0SF	PVC-C system	Armatury	FK DN 40÷400	3"	80	10	152,4	133	93	175	110	5/8"
FKOALCLM400F0SF	PVC-C system	Armatury	FK DN 40÷400	4"	100	10	190,5	147	107	272	110	5/8"
FKOALCLM500F0SF	PVC-C system	Armatury	FK DN 40÷400	5"	125	10	215,9	167	120	330	110	3/4"
FKOALCLM600F0SF	PVC-C system	Armatury	FK DN 40÷400	6"	150	10	241,3	180	134	330	110	3/4"

FKOC/LM LUG ANSI – BUTTERFLY VALVE

- Ergonomic handle in **HIPVC** equipped with **locking and unlocking device, release, quick operation and graduated adjustment** in 10 intermediate positions (DN 40÷200). The operating range, starting from the first few degrees of valve opening, also guarantees extremely low pressure drops.
- **Customisable Labelling System**: integrated module in the handle, made of a transparent protection plug and a customisable tag holder using the LSE set (available as an accessory). The **customisation** lets you **identify the valve on the system** according to specific needs.
- **STAINLESS steel square section stem** completely isolated from the fluid complying with standard ISO 5211: DN 40÷65: 11 mm DN 80÷100: 14 mm DN 125÷150: 17 mm DN 200: 22 mm DN 250÷300: 27 mm
- **Body** in polypropylene based **compound reinforced with fibreglass (PP-GR)** **resistant to UV rays** and characterised by **high mechanical strength**.
- **Drilling pattern using oval slots** that allow coupling to flanges according to numerous international standards. The special **self-centring inserts in ABS** supplied for DN 40÷200 guarantee the **correct axial alignment** of the valve during installation. For DN 250÷400 valves, the drilling pattern for the selfcentring system is of the traditional type according to DIN and ANSI standards.
- **Interchangeable liner** with the dual function of forming a hydraulic seal and isolating the body from the fluid.
- Interchangeable Disk in PVC-C with through shaft, available in different thermoplastic materials: PVC-U, PP-H, ABS, PVDF
- Overall dimensions of the valve in accordance with standard ISO 5752 (DN 40÷200 Medium Series 25, DN 250÷300 Long Series 16) and DIN 3202 K2 and ISO 5752 (DN 65÷200 K2, DN 250÷300 K3)
- Can also be installed as an end line valve, bottom discharge valve or tank dump valve
- **Special Lug version PN 10** fully drilled to DIN 2501 or ANSI B16.5 cl.150 with **molded-in AISI 316 stainless steel threaded inserts**
- Possibility of installing a manual reducer or pneumatic and/or electric actuators by applying ISO standard drilling pattern PP-GR flanges. DN 40 ÷ 200 valve fitted with plate with rack in PP-GR. For actuated versions with flange drilled according to ISO 5211 F05, F07, F10
- DN 250÷300 valve, fitted with one-piece top flange in high mechanical strength PP-GR with mounting flange for internal components with drilling according to standard ISO 5211 F10, F12, F14
- Possibility to have handle with integrated LSQT limit micro switch, even as a retrofit in existing installations