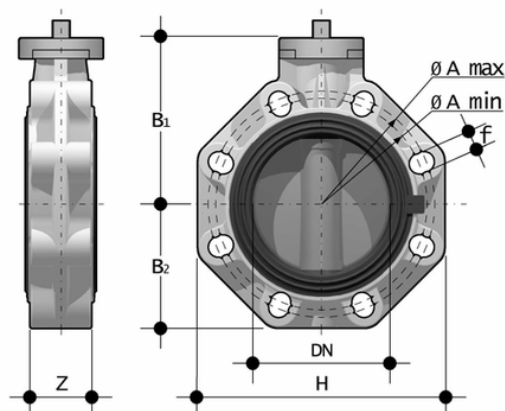


FKOC/FM - BUTTERFLY VALVE

Butterfly valve with bare shaft



EPDM

Objednací číslo	Materiál	Kategorie	Série	product.detail.attribute.d - Size	DN	PN	product.detail.attribute.A min	product.detail.attribute.A max	product.de
FKOCFM050E	PVC-C system	Armatury	FK DN 40÷400	50 - 1"1/2	40	16	99	109	-
FKOACFM810E	PVC-C system	Armatury	FK DN 40÷400	10";	**250	10	-	-	350
FKOCFM315E	PVC-C system	Armatury	FK DN 40÷400	315	*300	8	-	-	400
FKOCFM280E	PVC-C system	Armatury	FK DN 40÷400	280	*250	10	-	-	350
FKOCFM225E	PVC-C system	Armatury	FK DN 40÷400	225 - 8";	200	10	280	298	-
FKOCFM160E	PVC-C system	Armatury	FK DN 40÷400	160 - 6";	150	10	230	242	-
FKOCFM140E	PVC-C system	Armatury	FK DN 40÷400	140 - 5";	125	10	204	215	-
FKOCFM110E	PVC-C system	Armatury	FK DN 40÷400	110 - 4";	100	10	165	190	-
FKOCFM090E	PVC-C system	Armatury	FK DN 40÷400	90 - 3";	80	10	145	160	-
FKOCFM075E	PVC-C system	Armatury	FK DN 40÷400	75 - 2"1/2	65	10	128	144	-

FKOC/FM – BUTTERFLY VALVE

Objednací číslo	Materiál	Kategorie	Série	product.detail.attribute.d - Size	DN	PN	product.detail.attribute.A min	product.detail.attribute.A max	product.de
FKOCFM063E	PVC-C system	Armatury	FK DN 40÷400	63 - 2"	50	16	115	125,5	-
FKOACFM812E	PVC-C system	Armatury	FK DN 40÷400	12"	**300	8	-	-	400

FKM

Objednací číslo	Materiál	Kategorie	Série	product.detail.attribute.d - Size	DN	PN	product.detail.attribute.A min	product.detail.attribute.A max	product.de
FKOCFM050F	PVC-C system	Armatury	FK DN 40÷400	50 - 1"1/2	40	16	99	109	-
FKOACFM810F	PVC-C system	Armatury	FK DN 40÷400	10"	**250	10	-	-	350
FKOCFM315F	PVC-C system	Armatury	FK DN 40÷400	315	*300	8	-	-	400
FKOCFM280F	PVC-C system	Armatury	FK DN 40÷400	280	*250	10	-	-	350
FKOCFM225F	PVC-C system	Armatury	FK DN 40÷400	225 - 8"	200	10	280	298	-
FKOCFM160F	PVC-C system	Armatury	FK DN 40÷400	160 - 6"	150	10	230	242	-
FKOCFM140F	PVC-C system	Armatury	FK DN 40÷400	140 - 5"	125	10	204	215	-
FKOCFM110F	PVC-C system	Armatury	FK DN 40÷400	110 - 4"	100	10	165	190	-
FKOCFM090F	PVC-C system	Armatury	FK DN 40÷400	90 - 3"	80	10	145	160	-
FKOCFM075F	PVC-C system	Armatury	FK DN 40÷400	75 - 2"1/2	65	10	128	144	-
FKOCFM063F	PVC-C system	Armatury	FK DN 40÷400	63 - 2"	50	16	115	125,5	-
FKOACFM812F	PVC-C system	Armatury	FK DN 40÷400	12"	**300	8	-	-	400

FKM

Objednací číslo	Materiál	Kategorie	Série	product.detail.attribute.d - Size	DN	PN	product.detail.attribute.A min	product.detail.attribute.A max	product.d
FKOCFM050F0SF	PVC-C system	Armatury	FK DN 40÷400	50 - 1"1/2	40	16	99	109	-
FKOCFM063F0SF	PVC-C system	Armatury	FK DN 40÷400	63 - 2"	50	16	115	125,5	-

FKOC/FM – BUTTERFLY VALVE

Objednačí číslo	Materiál	Kategorie	Série	product.detail.attribute.d - Size	DN	PN	product.detail.attribute.A min	product.detail.attribute.A max	product.d
FKOCFM075F0SF	PVC-C system	Armatury	FK DN 40÷400	75 - 2"1/2	65	10	128	144	-
FKOCFM090F0SF	PVC-C system	Armatury	FK DN 40÷400	90 - 3"	80	10	145	160	-
FKOCFM110F0SF	PVC-C system	Armatury	FK DN 40÷400	110 - 4"	100	10	165	190	-
FKOCFM140F0SF	PVC-C system	Armatury	FK DN 40÷400	140 - 5"	125	10	204	215	-
FKOCFM160F0SF	PVC-C system	Armatury	FK DN 40÷400	160 - 6"	150	10	230	242	-

FKOC/FM – BUTTERFLY VALVE

- Ergonomic handle in **HIPVC** equipped with **locking and unlocking device, release, quick operation and graduated adjustment** in 10 intermediate positions (DN 40÷200). The operating range, starting from the first few degrees of valve opening, also guarantees extremely low pressure drops.
- **Customisable Labelling System**: integrated module in the handle, made of a transparent protection plug and a customisable tag holder using the LSE set (available as an accessory). The **customisation** lets you **identify the valve on the system** according to specific needs.
- **STAINLESS steel square section stem** completely isolated from the fluid complying with standard ISO 5211: DN 40÷65: 11 mm DN 80÷100: 14 mm DN 125÷150: 17 mm DN 200: 22 mm DN 250÷300: 27 mm
- **Body** in polypropylene based **compound reinforced with fibreglass (PP-GR)** **resistant to UV rays** and characterised by **high mechanical strength**.
- **Drilling pattern using oval slots** that allow coupling to flanges according to numerous international standards. The special **self-centring inserts in ABS** supplied for DN 40÷200 guarantee the **correct axial alignment** of the valve during installation. For DN 250÷400 valves, the drilling pattern for the selfcentring system is of the traditional type according to DIN and ANSI standards.
- **Interchangeable liner** with the dual function of forming a hydraulic seal and isolating the body from the fluid.
- Interchangeable Disk in PVC-C with through shaft, available in different thermoplastic materials: PVC-U, PP-H, ABS, PVDF
- Overall dimensions of the valve in accordance with standard ISO 5752 (DN 40÷200 Medium Series 25, DN 250÷ 300 Long Series 16) and DIN 3202 K2 and ISO 5752 (DN 65÷200 K2, DN 250÷300 K3)
- Can also be installed as an end line valve, bottom discharge valve or tank dump valve
- **Special Lug version** PN 10 fully drilled to DIN 2501 or ANSI B16.5 cl.150 with **molded-in AISI 316 stainless steel threaded inserts**
- Possibility of installing a manual reducer or pneumatic and/or electric actuators by applying ISO standard drilling pattern PP-GR flanges. DN 40 ÷ 200 valve fitted with plate with rack in PP-GR. For actuated versions with flange drilled according to ISO 5211 F05, F07, F10
- DN 250÷300 valve, fitted with one-piece top flange in high mechanical strength PP-GR with mounting flange for internal components with drilling according to standard ISO 5211 F10, F12, F14
- Possibility to have handle with integrated LSQT limit micro switch, even as a retrofit in existing installations