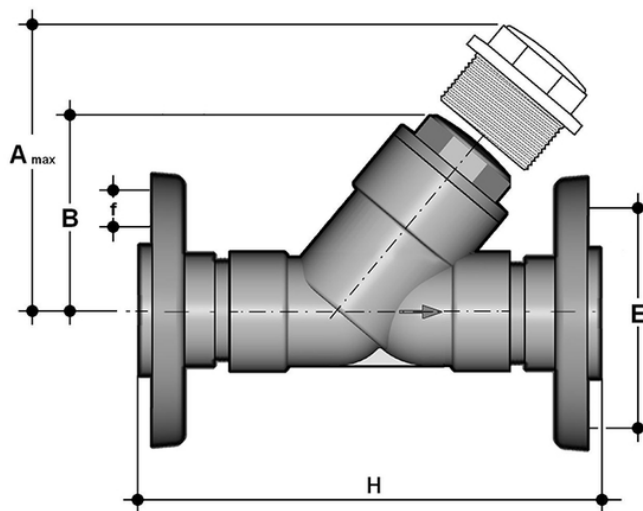


# VROV D 75 ÷ 110 - Check valve

Check valve with PVC-U backing ring, drilled PN10/16



## EPDM

Objednací číslo	Materiál	Kategorie	Série	d	DN	PN	product.detail.attribute.A_max	B	product.detail.attribute.F	product.detail.attribute.f	H	pro
VROV075E	PVC-U system	Armatury	VR DN 10÷100	75	65	10	300	179	145	17	356	B
VROV090E	PVC-U system	Armatury	VR DN 10÷100	90	80	6	325	192	160	17	404	B
VROV110E	PVC-U system	Armatury	VR DN 10÷100	110	100	6	385	231	180	17	475	C

## FKM

Objednací číslo	Materiál	Kategorie	Série	d	DN	PN	product.detail.attribute.A_max	B	product.detail.attribute.F	product.detail.attribute.f	H	pro
VROV075F	PVC-U system	Armatury	VR DN 10÷100	75	65	10	300	179	145	17	356	B
VROV090F	PVC-U system	Armatury	VR DN 10÷100	90	80	6	325	192	160	17	404	B
VROV110F	PVC-U system	Armatury	VR DN 10÷100	110	100	6	385	231	180	17	475	C

## VROV D 75 ÷ 110 – Check valve

- Connection system for solvent weld, threaded and flanged joints
- **No metal parts in contact with the fluid**
- **Piston with counterweight** able to work with high intensity fluid
- Limited pressure drop. Only minimum back pressure is required for the hermetic seal
- **Valve material compatibility** (PVC-U) with water conveyance, drinking water and other food substances according to **current regulations**
- Can be maintained with the valve body installed