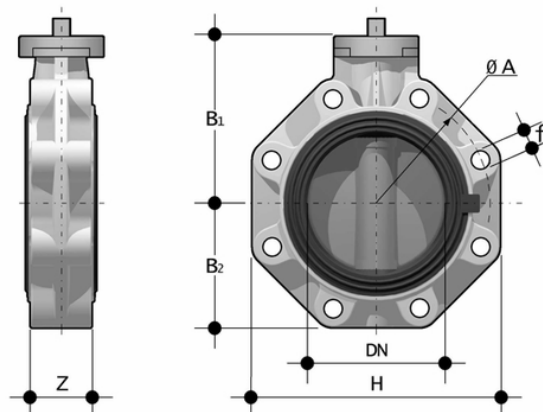


# FKOC/FM LUG ANSI - BUTTERFLY VALVE

Butterfly valve with bare shaft, version Lug ANSI



## EPDM

| Objednací číslo | Materiál     | Kategorie | Série        | d      | DN  | PN | product.detail.attribute.ØA | B (5:1) | product.detail.attribute.B[5:2] | product.detail.attribute |
|-----------------|--------------|-----------|--------------|--------|-----|----|-----------------------------|---------|---------------------------------|--------------------------|
| FKOALCFM212E    | PVC-C system | Armatury  | FK DN 40÷400 | 2" 1/2 | 65  | 10 | 139,7                       | 119     | 80                              | 5/8"                     |
| FKOALCFM300E    | PVC-C system | Armatury  | FK DN 40÷400 | 3"     | 80  | 10 | 152,4                       | 133     | 93                              | 5/8"                     |
| FKOALCFM400E    | PVC-C system | Armatury  | FK DN 40÷400 | 4"     | 100 | 10 | 190,5                       | 147     | 107                             | 5/8"                     |
| FKOALCFM500E    | PVC-C system | Armatury  | FK DN 40÷400 | 5"     | 125 | 10 | 215,9                       | 167     | 120                             | 3/4"                     |
| FKOALCFM600E    | PVC-C system | Armatury  | FK DN 40÷400 | 6"     | 150 | 10 | 241,3                       | 180     | 134                             | 3/4"                     |
| FKOALCFM800E    | PVC-C system | Armatury  | FK DN 40÷400 | 8"     | 200 | 10 | 298,4                       | 227     | 161                             | 3/4"                     |
| FKOALCFM810E    | PVC-C system | Armatury  | FK DN 40÷400 | 10"    | 250 | 6  | 362                         | 248     | 210                             | 7/8"                     |
| FKOALCFM812E    | PVC-C system | Armatury  | FK DN 40÷400 | 12"    | 300 | 6  | 431,8                       | 305     | 245                             | 7/8"                     |

## FKM

# FKOC/FM LUG ANSI - BUTTERFLY VALVE

| Objednačí číslo | Materiál     | Kategorie | Série        | d      | DN  | PN | product.detail.attribute.øA | B (5:1) | product.detail.attribute.B[5:2] | product.detail.attribute.B[5:3] |
|-----------------|--------------|-----------|--------------|--------|-----|----|-----------------------------|---------|---------------------------------|---------------------------------|
| FKOALCFM212F    | PVC-C system | Armatury  | FK DN 40÷400 | 2" 1/2 | 65  | 10 | 139,7                       | 119     | 80                              | 5/8"                            |
| FKOALCFM300F    | PVC-C system | Armatury  | FK DN 40÷400 | 3"     | 80  | 10 | 152,4                       | 133     | 93                              | 5/8"                            |
| FKOALCFM400F    | PVC-C system | Armatury  | FK DN 40÷400 | 4"     | 100 | 10 | 190,5                       | 147     | 107                             | 5/8"                            |
| FKOALCFM500F    | PVC-C system | Armatury  | FK DN 40÷400 | 5"     | 125 | 10 | 215,9                       | 167     | 120                             | 3/4"                            |
| FKOALCFM600F    | PVC-C system | Armatury  | FK DN 40÷400 | 6"     | 150 | 10 | 241,3                       | 180     | 134                             | 3/4"                            |
| FKOALCFM800F    | PVC-C system | Armatury  | FK DN 40÷400 | 8"     | 200 | 10 | 298,4                       | 227     | 161                             | 3/4"                            |
| FKOALCFM810F    | PVC-C system | Armatury  | FK DN 40÷400 | 10"    | 250 | 6  | 362                         | 248     | 210                             | 7/8"                            |
| FKOALCFM812F    | PVC-C system | Armatury  | FK DN 40÷400 | 12"    | 300 | 6  | 431,8                       | 305     | 245                             | 7/8"                            |

## FKM

| Objednačí číslo | Materiál     | Kategorie | Série        | d      | DN  | PN | product.detail.attribute.øA | B (5:1) | product.detail.attribute.B[5:2] | product.detail.attribute.B[5:3] |
|-----------------|--------------|-----------|--------------|--------|-----|----|-----------------------------|---------|---------------------------------|---------------------------------|
| FKOALCFM212F0SF | PVC-C system | Armatury  | FK DN 40÷400 | 2" 1/2 | 65  | 10 | 139,7                       | 119     | 80                              | 5/8"                            |
| FKOALCFM300F0SF | PVC-C system | Armatury  | FK DN 40÷400 | 3"     | 80  | 10 | 152,4                       | 133     | 93                              | 5/8"                            |
| FKOALCFM400F0SF | PVC-C system | Armatury  | FK DN 40÷400 | 4"     | 100 | 10 | 190,5                       | 147     | 107                             | 5/8"                            |
| FKOALCFM500F0SF | PVC-C system | Armatury  | FK DN 40÷400 | 5"     | 125 | 10 | 215,9                       | 167     | 120                             | 3/4"                            |
| FKOALCFM600F0SF | PVC-C system | Armatury  | FK DN 40÷400 | 6"     | 150 | 10 | 241,3                       | 180     | 134                             | 3/4"                            |

# FKOC/FM LUG ANSI – BUTTERFLY VALVE

- Ergonomic handle in **HIPVC** equipped with **locking and unlocking device, release, quick operation and graduated adjustment** in 10 intermediate positions (DN 40÷200). The operating range, starting from the first few degrees of valve opening, also guarantees extremely low pressure drops.
- **Customisable Labelling System**: integrated module in the handle, made of a transparent protection plug and a customisable tag holder using the LSE set (available as an accessory). The **customisation** lets you **identify the valve on the system** according to specific needs.
- **STAINLESS steel square section stem** completely isolated from the fluid complying with standard ISO 5211: DN 40÷65: 11 mm DN 80÷100: 14 mm DN 125÷150: 17 mm DN 200: 22 mm DN 250÷300: 27 mm
- **Body** in polypropylene based **compound reinforced with fibreglass (PP-GR)** **resistant to UV rays** and characterised by **high mechanical strength**.
- **Drilling pattern using oval slots** that allow coupling to flanges according to numerous international standards. The special **self-centring inserts in ABS** supplied for DN 40÷200 guarantee the **correct axial alignment** of the valve during installation. For DN 250÷400 valves, the drilling pattern for the selfcentring system is of the traditional type according to DIN and ANSI standards.
- **Interchangeable liner** with the dual function of forming a hydraulic seal and isolating the body from the fluid.
- Interchangeable Disk in PVC-C with through shaft, available in different thermoplastic materials: PVC-U, PP-H, ABS, PVDF
- Overall dimensions of the valve in accordance with standard ISO 5752 (DN 40÷200 Medium Series 25, DN 250÷300 Long Series 16) and DIN 3202 K2 and ISO 5752 (DN 65÷200 K2, DN 250÷300 K3)
- Can also be installed as an end line valve, bottom discharge valve or tank dump valve
- **Special Lug version PN 10** fully drilled to DIN 2501 or ANSI B16.5 cl.150 with **molded-in AISI 316 stainless steel threaded inserts**
- Possibility of installing a manual reducer or pneumatic and/or electric actuators by applying ISO standard drilling pattern PP-GR flanges. DN 40 ÷ 200 valve fitted with plate with rack in PP-GR. For actuated versions with flange drilled according to ISO 5211 F05, F07, F10
- DN 250÷300 valve, fitted with one-piece top flange in high mechanical strength PP-GR with mounting flange for internal components with drilling according to standard ISO 5211 F10, F12, F14
- Possibility to have handle with integrated LSQT limit micro switch, even as a retrofit in existing installations