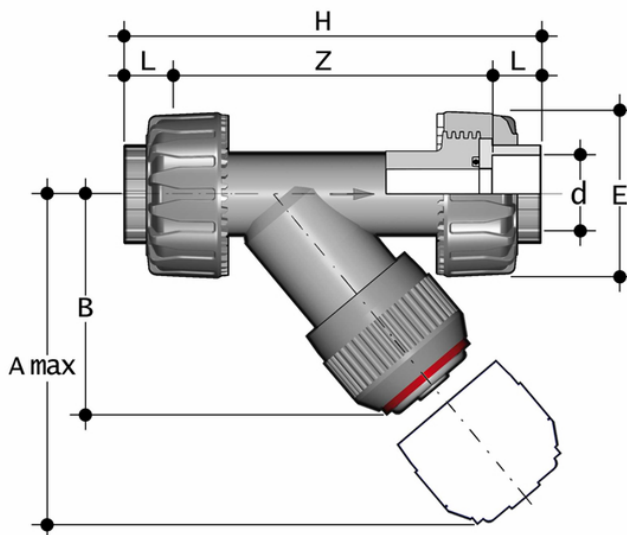


RVUIV-RVUIT - Sediment strainer

RVUIV PVC-U rigid - RVUIT PVC-U transparent Sediment strainer with female union ends for solvent welding



EPDM

Objednáč číslo	Materiál	Kategorie	Série	d	DN	product.detail.attribute.PN RVUIV	product.detail.attribute.PN RVUIT	product.detail.attribute.A max	B	E	H
RVUIV016E	PVC-U system	Armatury	RV DN 10÷100	16	10	16	16	125	72	55	135
RVUIT050E	PVC-U system	Armatury	RV DN 10÷100	50	40	16	10	210	120	100	243
RVUIT040E	PVC-U system	Armatury	RV DN 10÷100	40	32	16	10	190	111	87	207
RVUIT032E	PVC-U system	Armatury	RV DN 10÷100	32	25	16	16	165	95	75	176
RVUIT025E	PVC-U system	Armatury	RV DN 10÷100	25	20	16	16	145	84	66	158
RVUIT020E	PVC-U system	Armatury	RV DN 10÷100	20	15	16	16	125	72	55	135
RVUIT016E	PVC-U system	Armatury	RV DN 10÷100	16	10	16	16	125	72	55	135
RVUIV063E	PVC-U system	Armatury	RV DN 10÷100	63	50	16	10	240	139	120	298
RVUIV050E	PVC-U system	Armatury	RV DN 10÷100	50	40	16	10	210	120	100	243
RVUIV040E	PVC-U system	Armatury	RV DN 10÷100	40	32	16	10	190	111	87	207

RVUIV-RVUIT - Sediment strainer

Objednáací číslo	Materiál	Kategorie	Série	d	DN	product.detail.attribute.PN RVUIV	product.detail.attribute.PN RVUIT	product.detail.attribute.A max	B	E	H
RVUIV032E	PVC-U system	Armatury	RV DN 10÷100	32	25	16	16	165	95	75	176
RVUIV025E	PVC-U system	Armatury	RV DN 10÷100	25	20	16	16	145	84	66	158
RVUIV020E	PVC-U system	Armatury	RV DN 10÷100	20	15	16	16	125	72	55	135
RVUIT063E	PVC-U system	Armatury	RV DN 10÷100	63	50	16	10	240	139	120	298



RVUIV-RVUIT - Sediment strainer

- Connection system for solvent weld, threaded and flanged joints
- **Strainer** mounted on an easily removed **support** that facilitates the cleaning or replacement
- **Valve material compatibility** (PVC-U) with water conveyance, drinking water and other food substances according to **current regulations**
- Can be maintained with the valve body installed