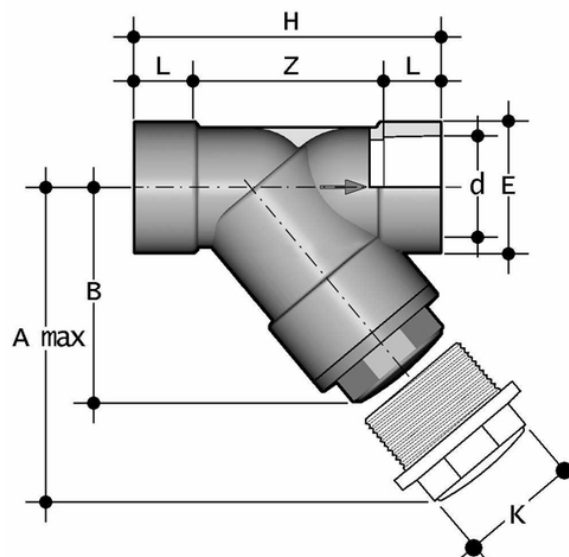


RVIV-RVIT - Sediment strainer

RVIV PVC-U rigid - RVIT PVC-U transparent Sediment strainer with female ends for solvent welding



EPDM

Objednací číslo	Materiál	Kategorie	Série	d	DN	product.detail.attribute.PN RVIV	product.detail.attribute.PN RVIT	product.detail.attribute.A max	B	E	H
RVIV075E	PVC-U system	Armatury	RV DN 10÷100	75	65	10	6	300	179	104	243
RVIV090E	PVC-U system	Armatury	RV DN 10÷100	90	80	6	4	325	192	116	262
RVIV110E	PVC-U system	Armatury	RV DN 10÷100	110	100	6	4	385	231	138	325
RVIT075E	PVC-U system	Armatury	RV DN 10÷100	75	65	10	6	300	179	104	243
RVIT090E	PVC-U system	Armatury	RV DN 10÷100	90	80	6	4	325	192	116	262
RVIT110E	PVC-U system	Armatury	RV DN 10÷100	110	100	6	4	385	231	138	325



RVIV-RVIT - Sediment strainer

- Connection system for solvent weld, threaded and flanged joints
- **Strainer** mounted on an easily removed **support** that facilitates the cleaning or replacement
- **Valve material compatibility** (PVC-U) with water conveyance, drinking water and other food substances according to **current regulations**
- Can be maintained with the valve body installed