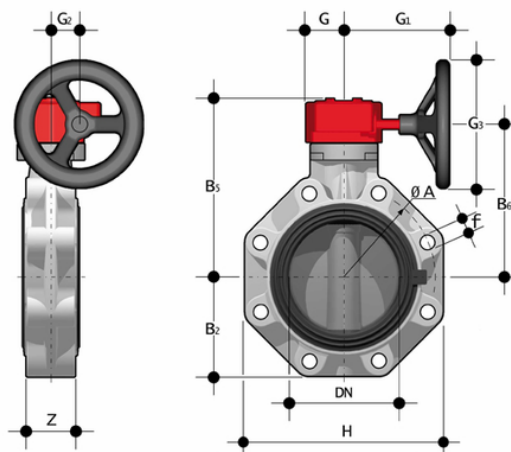


FKOC/RM LUG ISO-DIN - BUTTERFLY VALVE

Gearbox operated Butterfly valve, version Lug ISO-DIN



EPDM

Objednací číslo	Materiál	Kategorie	Série	d	DN	PN	product.detail.attribute.ØA	product.detail.attribute.B[5;2]	product.detail.attribute.B[5;5]
FKOLCRM075E	PVC-C system	Armatury	FK DN 40÷400	75	65	10	145	80	174
FKOLCRM090E	PVC-C system	Armatury	FK DN 40÷400	90	80	10	160	93	188
FKOLCRM110E	PVC-C system	Armatury	FK DN 40÷400	110	100	10	180	107	202
FKOLCRM140E	PVC-C system	Armatury	FK DN 40÷400	140	125	10	210	120	222
FKOLCRM160E	PVC-C system	Armatury	FK DN 40÷400	160	150	10	240	134	235
FKOLCRM225E	PVC-C system	Armatury	FK DN 40÷400	225	200	10	295	161	287

FKM

Objednací číslo	Materiál	Kategorie	Série	d	DN	PN	product.detail.attribute.ØA	product.detail.attribute.B[5;2]	product.detail.attribute.B[5;5]
FKOLCRM075F	PVC-C system	Armatury	FK DN 40÷400	75	65	10	145	80	174
FKOLCRM090F	PVC-C system	Armatury	FK DN 40÷400	90	80	10	160	93	188

FKOC/RM LUG ISO-DIN - BUTTERFLY VALVE

Objednáací číslo	Materiál	Kategorie	Série	d	DN	PN	product.detail.attribute.øA	product.detail.attribute.B[5:2]	product.detail.attribute.B[5:5]
FKOLCRM110F	PVC-C system	Armatury	FK DN 40÷400	110	100	10	180	107	202
FKOLCRM140F	PVC-C system	Armatury	FK DN 40÷400	140	125	10	210	120	222
FKOLCRM160F	PVC-C system	Armatury	FK DN 40÷400	160	150	10	240	134	235
FKOLCRM225F	PVC-C system	Armatury	FK DN 40÷400	225	200	10	295	161	287

FKM

Objednáací číslo	Materiál	Kategorie	Série	d	DN	PN	product.detail.attribute.øA	product.detail.attribute.B[5:2]	product.detail.attribute.B[5:5]
FKOLCRM075F0SF	PVC-C system	Armatury	FK DN 40÷400	75	65	10	145	80	174
FKOLCRM090F0SF	PVC-C system	Armatury	FK DN 40÷400	90	80	10	160	93	188
FKOLCRM110F0SF	PVC-C system	Armatury	FK DN 40÷400	110	100	10	180	107	202
FKOLCRM140F0SF	PVC-C system	Armatury	FK DN 40÷400	140	125	10	210	120	222
FKOLCRM160F0SF	PVC-C system	Armatury	FK DN 40÷400	160	150	10	240	134	235

FKOC/RM LUG ISO-DIN - BUTTERFLY VALVE

- Ergonomic handle in HIPVC equipped with **locking and unlocking device, release, quick operation and graduated adjustment** in 10 intermediate positions (DN 40÷200). The operating range, starting from the first few degrees of valve opening, also guarantees extremely low pressure drops.
- **Customisable Labelling System**: integrated module in the handle, made of a transparent protection plug and a customisable tag holder using the LSE set (available as an accessory). The **customisation** lets you **identify the valve on the system** according to specific needs.
- **STAINLESS steel square section stem** completely isolated from the fluid complying with standard ISO 5211: DN 40÷65: 11 mm DN 80÷100: 14 mm DN 125÷150: 17 mm DN 200: 22 mm DN 250÷300: 27 mm
- **Body** in polypropylene based **compound reinforced with fibreglass (PP-GR)** **resistant to UV rays** and characterised by **high mechanical strength**.
- **Drilling pattern using oval slots** that allow coupling to flanges according to numerous international standards. The special **self-centring inserts in ABS** supplied for DN 40÷200 guarantee the **correct axial alignment** of the valve during installation. For DN 250÷400 valves, the drilling pattern for the selfcentring system is of the traditional type according to DIN and ANSI standards.
- **Interchangeable liner** with the dual function of forming a hydraulic seal and isolating the body from the fluid.
- Interchangeable Disk in PVC-C with through shaft, available in different thermoplastic materials: PVC-U, PP-H, ABS, PVDF
- Overall dimensions of the valve in accordance with standard ISO 5752 (DN 40÷200 Medium Series 25, DN 250÷ 300 Long Series 16) and DIN 3202 K2 and ISO 5752 (DN 65÷200 K2, DN 250÷300 K3)
- Can also be installed as an end line valve, bottom discharge valve or tank dump valve
- **Special Lug version PN 10** fully drilled to DIN 2501 or ANSI B16.5 cl.150 with **molded-in AISI 316 stainless steel threaded inserts**
- Possibility of installing a manual reducer or pneumatic and/or electric actuators by applying ISO standard drilling pattern PP-GR flanges. DN 40 ÷ 200 valve fitted with plate with rack in PP-GR. For actuated versions with flange drilled according to ISO 5211 F05, F07, F10
- DN 250÷300 valve, fitted with one-piece top flange in high mechanical strength PP-GR with mounting flange for internal components with drilling according to standard ISO 5211 F10, F12, F14
- Possibility to have handle with integrated LSQT limit micro switch, even as a retrofit in existing installations