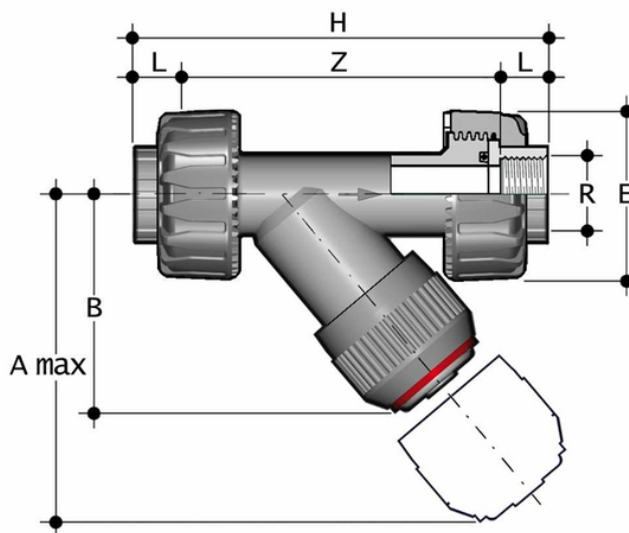


RVUFV-RVUFT - Sediment strainer

RVUFV PVC-U rigid - RVUFT PVC-U transparent Sediment strainer with BSP threaded female union ends



EPDM

Objednací číslo	Materiál	Kategorie	Série	product.detail.attribute.R	DN	product.detail.attribute.PN RVUFV	product.detail.attribute.PN RVUFT	product.detail.attribute.PN max
RVUFV038E	PVC-U system	Armatury	RV DN 10÷100	3/8"	10	16	16	125
RVUFT112E	PVC-U system	Armatury	RV DN 10÷100	1" 1/2	40	16	10	210
RVUFT114E	PVC-U system	Armatury	RV DN 10÷100	1" 1/4	32	16	10	190
RVUFT100E	PVC-U system	Armatury	RV DN 10÷100	1"	25	16	16	165
RVUFT034E	PVC-U system	Armatury	RV DN 10÷100	3/4"	20	16	16	145
RVUFT012E	PVC-U system	Armatury	RV DN 10÷100	1/2"	15	16	16	125
RVUFT038E	PVC-U system	Armatury	RV DN 10÷100	3/8"	10	16	16	125
RVUFV200E	PVC-U system	Armatury	RV DN 10÷100	2"	50	16	10	240
RVUFV112E	PVC-U system	Armatury	RV DN 10÷100	1" 1/2	40	16	10	210
RVUFV114E	PVC-U system	Armatury	RV DN 10÷100	1" 1/4	32	16	10	190

RVUFV-RVUFT - Sediment strainer

Objednací číslo	Materiál	Kategorie	Série	product.detail.attribute.R	DN	product.detail.attribute.PN RVUFV	product.detail.attribute.PN RVUFT	product.detail.attr max
RVUFV100E	PVC-U system	Armatury	RV DN 10÷100	1"	25	16	16	165
RVUFV034E	PVC-U system	Armatury	RV DN 10÷100	3/4"	20	16	16	145
RVUFV012E	PVC-U system	Armatury	RV DN 10÷100	1/2"	15	16	16	125
RVUFT200E	PVC-U system	Armatury	RV DN 10÷100	2"	50	16	10	240



RVUFV-RVUFT – Sediment strainer

- Connection system for solvent weld, threaded and flanged joints
- **Strainer** mounted on an easily removed **support** that facilitates the cleaning or replacement
- **Valve material compatibility** (PVC-U) with water conveyance, drinking water and other food substances according to **current regulations**
- Can be maintained with the valve body installed