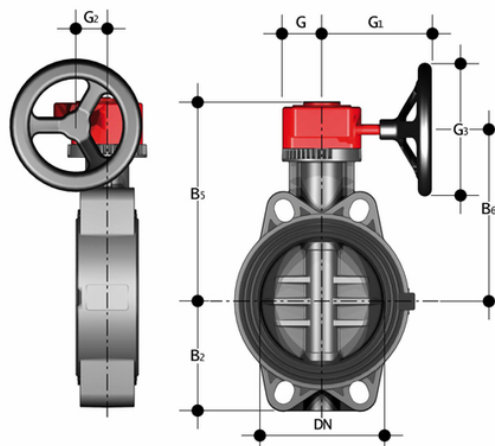


FEOV/RM

Gearbox operated Butterfly valve



EPDM

Objednací číslo	Materiál	Kategorie	Série	d	DN	PN	product.detail.attribute.B[5:2]	product.detail.attribute.B[5:5]	product.detail.attrib
FEOVRM075E	PVC-U system	Armatury	FE DN 40÷200	75 - 2"1/2	65	10	80	173	145
FEOVRM090E	PVC-U system	Armatury	FE DN 40÷200	90 - 3"	80	10	90	187	159
FEOVRM110E	PVC-U system	Armatury	FE DN 40÷200	110 - 4"	100	10	105	201	173
FEOVRM140E	PVC-U system	Armatury	FE DN 40÷200	*140 - 5"	125	10	121	220	192
FEOVRM160E	PVC-U system	Armatury	FE DN 40÷200	160 - 6"	150	10	132	235	207
FEOVRM225E	PVC-U system	Armatury	FE DN 40÷200	**225 - 8"	200	10	161	288	257

FKM

Objednací číslo	Materiál	Kategorie	Série	d	DN	PN	product.detail.attribute.B[5:2]	product.detail.attribute.B[5:5]	product.detail.attrib
FEOVRM075F	PVC-U system	Armatury	FE DN 40÷200	75 - 2"1/2	65	10	80	173	145
FEOVRM090F	PVC-U system	Armatury	FE DN 40÷200	90 - 3"	80	10	90	187	159

FEOV/RM

Objednací číslo	Materiál	Kategorie	Série	d	DN	PN	product.detail.attribute.B[5:2]	product.detail.attribute.B[5:5]	product.detail.attrib
FEOVRM110F	PVC-U system	Armatury	FE DN 40÷200	110 - 4"	100	10	105	201	173
FEOVRM140F	PVC-U system	Armatury	FE DN 40÷200	*140 - 5"	125	10	121	220	192
FEOVRM160F	PVC-U system	Armatury	FE DN 40÷200	160 - 6"	150	10	132	235	207
FEOVRM225F	PVC-U system	Armatury	FE DN 40÷200	**225 - 8"	200	10	161	288	257

FEOV/RM

- **Ergonomic multifunctional handle in HIPVC** with the option for **quick operation, graduated adjustment** in 12 positions (every 7.5°). 180° reversible mounting
- **Customisable Labelling System:** integrated module, made of a transparent protection plug customisable tag holder using the LSE set (available as accessory). **The customisation lets you identify the valve on the system** according to the specific needs
- **Drilling pattern with oval slots** that allow coupling to flanges according to numerous international standards
- **Interchangeable liner** with the dual function of forming a hydraulic seal and isolating the body from the fluid.
- One-piece top flange with PVC-U rack. Drilling according to standard ISO 5211 for direct drive: £DN 40 ÷ 65: F05£DN 80 ÷ 150: F07£DN 200: F10

- Disk in PVC-U with through shaft
- **Zinc plated square section steel stem completely isolated from the fluid** complying with standard ISO 5211: DN 40 ÷ 65: 11 mm DN 80 ÷ 100: 14 mm DN 125 ÷ 150: 17 mm DN 200: 22 mm
- Can also be installed as a bottom discharge valve or tank dump valve
- **Valve material compatibility** (PVC-U) with water conveyance, drinking water and other food substances according to **current regulations**
- Possibility of directly installing a gearbox or pneumatic and/or electric actuators with a standard drilling pattern according to standard ISO 5211 F05, F07, F10