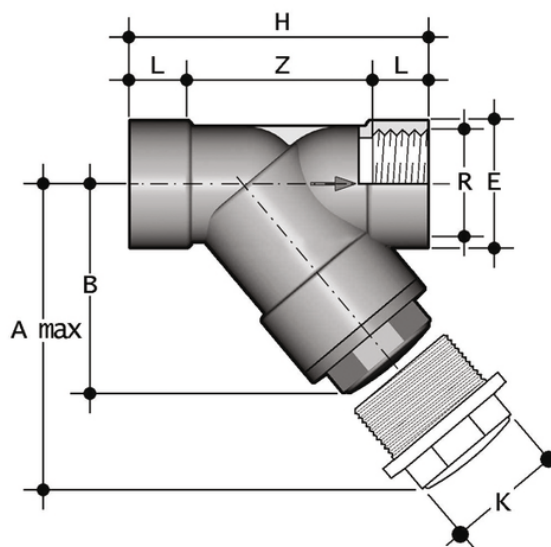


RVFV-RVFT - Sediment strainer

RVFV PVC-U rigid - RVFT PVC-U transparent Sediment strainer with BSP threaded female ends



EPDM

Objednací číslo	Materiál	Kategorie	Série	product.detail.attribute.R	DN	product.detail.attribute.PN RVFV	product.detail.attribute.PN RVFT	product.detail.attribute.PN max
RVFV212E	PVC-U system	Armatury	RV DN 10÷100	2" 1/2	65	10	6	300
RVFV300E	PVC-U system	Armatury	RV DN 10÷100	3"	80	6	4	325
RVFV400E	PVC-U system	Armatury	RV DN 10÷100	4"	100	6	4	385
RVFT212E	PVC-U system	Armatury	RV DN 10÷100	2" 1/2	65	10	6	300
RVFT300E	PVC-U system	Armatury	RV DN 10÷100	3"	80	6	4	325
RVFT400E	PVC-U system	Armatury	RV DN 10÷100	4"	100	6	4	385



RVFV-RVFT - Sediment strainer

- Connection system for solvent weld, threaded and flanged joints
- **Strainer** mounted on an easily removed **support** that facilitates the cleaning or replacement
- **Valve material compatibility** (PVC-U) with water conveyance, drinking water and other food substances according to **current regulations**
- Can be maintained with the valve body installed