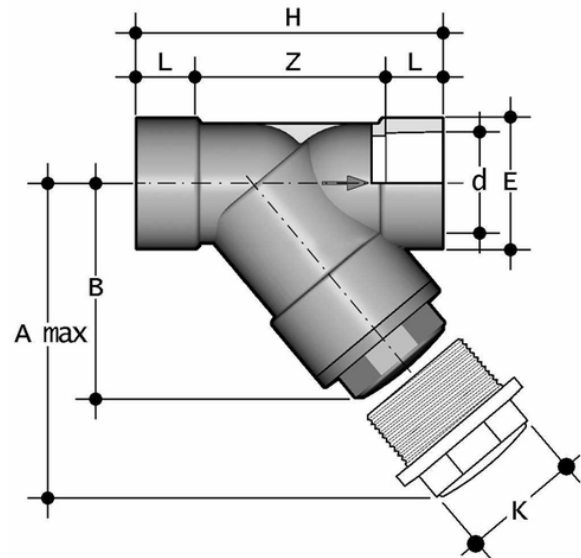


RVAT - Sediment strainer

PVC-U transparent Sediment strainer with female ends for solvent welding, series ASTM



Objednací číslo	Materiál	Kategorie	Série	d	DN	PN	product.detail.attribute.A max	B	E	H	product.detail.attribute.K	L	Z	proc
RVAT300E	PVC-U system	Armatury	RV DN 10÷100	3"	80	4	325	192	116	262	105	47,6	166,8	B
RVAT400E	PVC-U system	Armatury	RV DN 10÷100	4"	100	4	385	231	138	325	-	57,2	210,6	C

RVAT - Sediment strainer

- Connection system for solvent weld, threaded and flanged joints
- **Strainer** mounted on an easily removed **support** that facilitates the cleaning or replacement
- **Valve material compatibility** (PVC-U) with water conveyance, drinking water and other food substances according to **current regulations**
- Can be maintained with the valve body installed