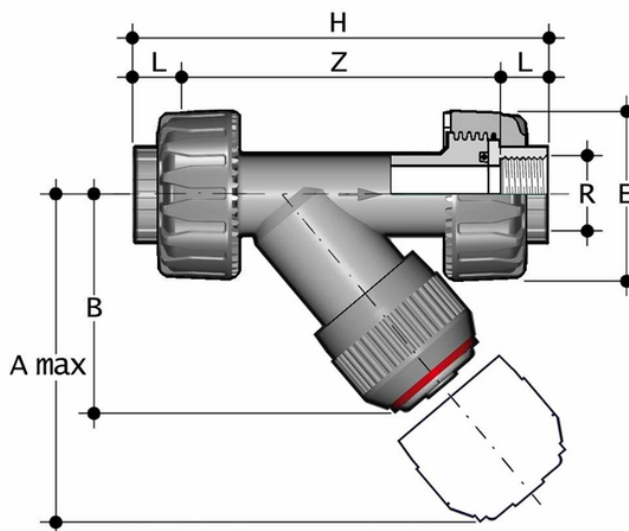


RVUNT - Sediment strainer

PVC-U transparent Sediment strainer with NPT threaded female union ends



Objednací číslo	Materiál	Kategorie	Série	product.detail.attribute.R	DN	PN	product.detail.attribute.A max	B	E	H	L	Z	product
RVUNT012E	PVC-U system	Armatury	RV DN 10÷100	1/2"	15	16	125	72	55	142	17,8	106,4	A
RVUNT034E	PVC-U system	Armatury	RV DN 10÷100	3/4"	20	16	145	84	66	159	18	123	A
RVUNT038E	PVC-U system	Armatury	RV DN 10÷100	3/8"	10	16	125	72	55	135	13,7	107,6	A
RVUNT100E	PVC-U system	Armatury	RV DN 10÷100	1"	25	16	165	95	75	183	22,6	137,8	A
RVUNT112E	PVC-U system	Armatury	RV DN 10÷100	1" 1/2	40	10	210	120	100	235	24,7	185,6	A
RVUNT114E	PVC-U system	Armatury	RV DN 10÷100	1" 1/4	32	10	190	111	87	214	25,1	163,8	A
RVUNT200E	PVC-U system	Armatury	RV DN 10÷100	2"	50	10	240	139	120	285	29,6	225,8	A

RVUNT - Sediment strainer

- Connection system for solvent weld, threaded and flanged joints
- **Strainer** mounted on an easily removed **support** that facilitates the cleaning or replacement
- **Valve material compatibility** (PVC-U) with water conveyance, drinking water and other food substances according to **current regulations**
- Can be maintained with the valve body installed